



### **Science Arts & Métiers (SAM)**

is an open access repository that collects the work of Arts et Métiers Institute of Technology researchers and makes it freely available over the web where possible.

This is an author-deposited version published in: <https://sam.ensam.eu>  
Handle ID: <http://hdl.handle.net/10985/21308>

#### **To cite this version :**

Innokentiy SKORNYAKOV, Tatiana TARASOVA, Svetlana TEREKHINA - Investigation of the Strength Characteristics of Samples Made of Nylon by FFF Technology - ARPJ Journal of Engineering and Applied Sciences - Vol. 14, n°13, p.2427-2432 - 2019

Any correspondence concerning this service should be sent to the repository

Administrator : [scienceouverte@ensam.eu](mailto:scienceouverte@ensam.eu)



# INVESTIGATION OF THE STRENGTH CHARACTERISTICS OF SAMPLES MADE OF NYLON BY FFF TECHNOLOGY

I. A. Skornyakov<sup>1</sup>, T. V. Tarasova<sup>1</sup> and S. M. Terekhina<sup>2</sup>  
<sup>1</sup>Moscow State University of Technology "STANKIN", Moscow, Russia  
<sup>2</sup>École Nationale Supérieure d'Arts et Métiers, Angers, France  
E-Mail: [inn.skornyakov@gmail.com](mailto:inn.skornyakov@gmail.com)

## ABSTRACT

Additive manufacturing of polymer products over the past decade has become widespread in various areas of industry. Using the FFF method, one of the most technologically simple methods of additive manufacturing, it is possible to produce parts from a large number of different materials, including wear-resistant nylon. This article reflects the process of manufacturing samples from nylon using FFF technology with various internal topologies, as well as tensile tests. The analysis of the obtained results is performed and the relationship between the structure of the sample and the limit of its strength is established. The FFF method is promising for developing methods for producing composite materials. The results of this article can be useful in choosing the necessary manufacturing parameters.

**Keywords:** additive technologies, additive manufacturing, FFF, 3D printing, nylon.

## INTRODUCTION

Rapidly developing for several decades, additive technologies are gradually replacing the classic ways of making products in many industries. This fact is due to the main principle of new methods - layer-by-layer creation of objects based on digital three-dimensional model controlled by a computer. This approach minimizes the number of equipment and the number of technological operations. A wide range of materials available for additive production (from metallic powders to polymer filaments) makes it possible to produce analogues of products obtained by classical methods, often not inferior to them by mechanical characteristics. A bright representative of polymer materials used in this kind of production is nylon. Nylon is a thermoplastic polymer belonging to the group of polyamides. These plastics are characterized by high wear resistance but increased hygroscopicity (the ability to absorb moisture). Nylon finds application in the production of elements of friction pairs, in the medical industry for the manufacturing of prostheses. This polymer is one of the main materials for additive plants using Fused Filament Fabrication (FFF). FFF technology refers to the simplest methods of 3D printing. However, this technology allows producing a wide variety of products: from mock-ups and prototypes to robust functional elements.

One of the ways to increase the competitiveness of the product is to reduce its weight and the cost of its production. In relation to additive production, both objectives can be achieved by replacing the solid product with a shell with the same geometry and dimensions. To ensure its strength, a structure of the same material is formed inside the shell. The volume fraction of this structure inside the shell can vary from 0% to 100%. Obviously, with increasing this value, the strength of the structure will increase. The purpose of this study is to identify the relationship between the volume fraction of this structure inside the shell (20-100%) and the strength of the sample. It should be noted that in this article the

infill structure is considered as a composite material, one of the components of which is nylon, and the other is air.

## LITERATURE REVIEW

At present, all technologies of additive production are fully reflected in the literature [1, 3, 6]. The main attention is paid to the manufacture of products from metal powders [5, 18] using selective laser melting technology [16], in view of the increased interest in obtaining functional parts of various machines and mechanisms. However, polymer composite materials, filled with fibers of various types and composition [9, 13], already constitute a serious competition to metals. In this connection, on the wave of general interest in additive technologies, attempts are made to directly produce composite materials using 3D printing [8, 15, 17].

To understand the rationality of the transition from traditional manufacturing methods to new ones [4], the accumulation of experimental data is required. The world scientific community studies the properties of samples from unfilled polymers made by additive technology methods [12] (in particular, by the FFF method [11]), mathematical models of their formation are created [14]. Much attention is paid to the most widely used plastics in FFF installations: ABS and PLA [2, 10]. Less common nylon is used in the manufacture of gears and friction pairs, where it experiences mainly cyclic loads. In this regard, he is more often subjected to fatigue testing [7]. However, the prospects for using nylon as a matrix of composite material are growing because of its high compatibility with biodegradable natural fibers. This can significantly expand the scope of the material. Tests of tensile strength of nylon, useful in further studies, are described in this article.

## MATERIALS AND METHODS

Nylon filament (NYLON, manufacturer - Print Product, Russia) was used as a material for the production of samples.

Due to the high hygroscopicity of the material, the drying of the filament was carried out immediately prior to manufacturing.

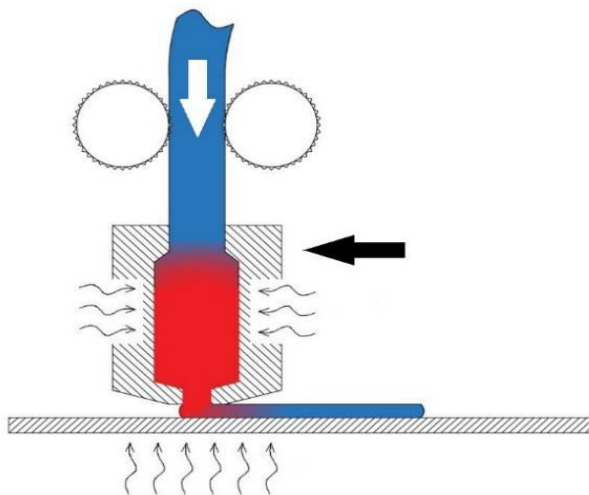
The parameters of the material are shown in the Table-1.

**Table-1.** Properties of NYLON material.

Mark	NYLON
Chemical formula	$(C_{12}H_{22}N_2O_2)_n$
Filament diameter, mm	1,75
Melting point, °C	260 (acceptable softening at 215)
Density, g/sm <sup>3</sup>	1,14
Tensile strength, MPa	~80
Elastic modulus, MPa	1700
Percentage elongation, %	60

To determine the required dependence, strength tests of a number of samples having different volume fraction of the infill structure were carried out.

Samples were manufactured on equipment, developed at MSTU "STANKIN" using elements of the Prusa Mendel project. Manufacturing of products on this equipment is carried out using FFF technology (Fused Filament Fabrication). FFF is one of the methods of additive manufacturing, which consists in feeding a threadlike material into the heated chamber, melting it, squeezing it out through the nozzle and depositing it onto the working surface (Figure-1).



**Figure-1.** Scheme of the FFF process.

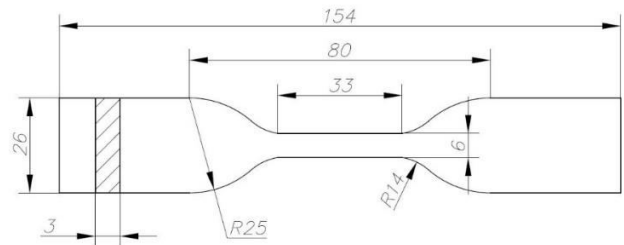
Simultaneous processes of extruding the filament, moving the extruder and / or the working surface provide a layer-by-layer forming of the product. On the equipment of MSTU "STANKIN" these processes is controlled by computer using the software of Repetier Host. The parameters of the process are shown in the Table-2.

**Table-2.** Parameters of the FFF process.

Chamber type	open
Nozzle diameter, mm	0,3
Extruder temperature, °C	240
Bed temperature, °C	80
Layer height, mm	0,15
Extruder movement speed, mm/s	40
Extruder movement speed at first layer, mm/s	12

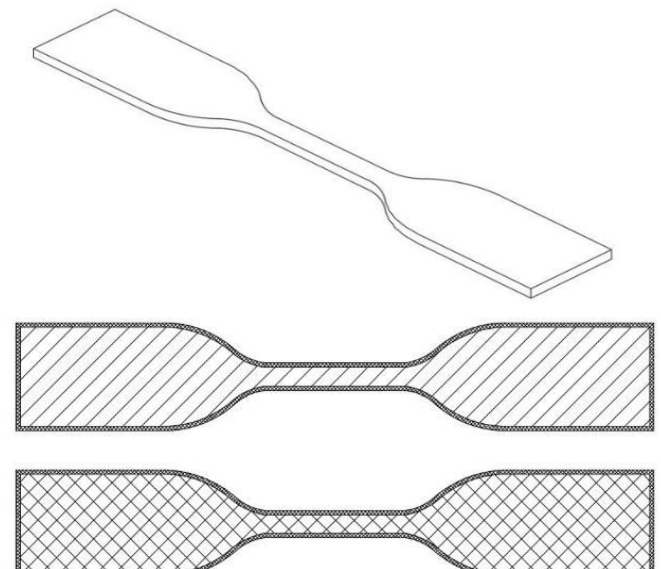
Moving of mobile elements is carried out according to the algorithm, previously formed by the program based on the three-dimensional model of the product and the characteristics set by the operator.

The shape and dimensions of the samples were selected in accordance with GOST 11262-80 "Plastics. Method of tensile testing." (Figure-2)



**Figure-2.** Sample in accordance with GOST.

As an infill structure scheme, a perpendicular scheme was set. Each layer is filled with parallel tracks (strips of cooled polymer) positioned at an angle of 45° to the axis of the sample and perpendicular to the direction of the tracks of the previous layer (Figure-3).



**Figure-3.** Layer infill structure scheme.

Varying the distance between adjacent tracks results in a change in the volume fraction of the fill pattern. Several groups of samples were made, for each of which a theoretical volume fraction of the infill structure was set: 20%, 40%, 60%, 80% and 100%.

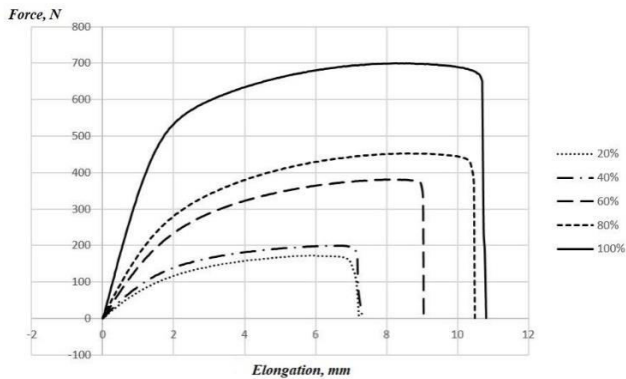
The actual geometric and mass characteristics of the samples were previously determined by caliper measurement (accurate to 0.1 mm) and weighing on the Mettler Toledo XPE analytical scales (accurate to 0.001 g).

To determine the tensile strength of the manufactured samples, the electrodynamic testing system Electro Puls Model E10000 for axial loading with twisting was used.

The tests of each sample were carried out in accordance with GOST 11262-80 "Plastics. The tensile test method "at a speed of 25 mm/min.

## RESULTS

After the tests, stretch diagrams of the samples were obtained (in Figure-4 some of them are shown) and the strength limits were calculated.

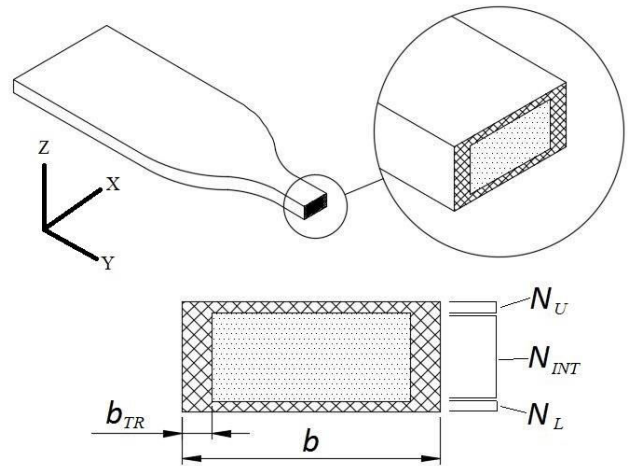


**Figure-4.** Tensile diagrams of some samples.

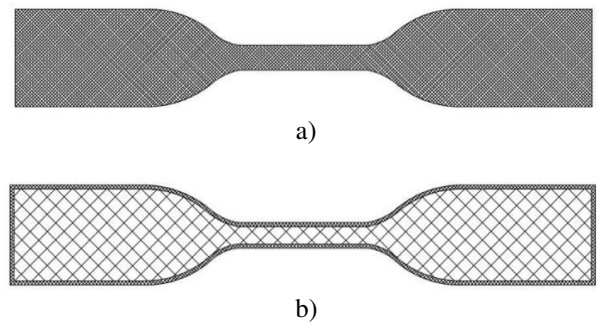
As the volume fraction of infill structure increases, the ability of the sample to plastic deformation increases.

The obtained data cannot fully characterize the relationship between strength and volume fraction of the infill structure. To identify this relationship, the actual volume fraction of infill structure of each sample and the strength of the infill structure (without taking into account the strength of the shell) were calculated. Calculation of the actual fraction of infill structure was made on the basis of geometric and mass parameters.

Each fabricated sample consists of  $N_{\Sigma}$  layers of thickness  $t$ , of which  $N_L$  lower ones and  $N_U$  upper ones have a continuous infill structure (Figure-3, Figure-5, Figure-6a).



**Figure-5.** Working cross-section of the sample.

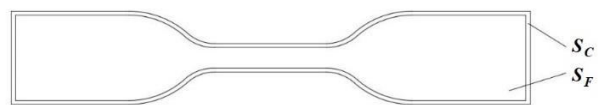


**Figure-6.** Infill structure scheme of upper and lower layers (a); infill structure scheme of intermediate layers (b).

The number of lower layers varies from sample to sample due to different conditions for separating samples from the bed surface after manufacturing. Each of the  $N_{INT}$  intermediate layers consists of a solid contour and infill structure with a theoretical volume fraction  $A_{T\%}$  (Figure-6b). Thus, the total number of layers:

$$N_{\Sigma} = N_L + N_U + N_{INT}$$

Taking into account the actual dimensions of each manufactured sample using the AutoCAD 2016 software, the contour was drawn and the values of the areas of the different zones of the layer were determined (Figure-7).



**Figure-7.** Layer zones.

- $S_C$  - solid contour area,
- $S_F$  - infill structure area,
- $S_{\Sigma} = S_C + S_F$  - total area of the continuous layer.

The difference in these values in the samples is due to changes in the temperature state of the working zone during manufacturing.

According to obtained values, the volumes of solid material and infill structure were calculated:

$V_{SM} = (N_L + N_U) \cdot t \cdot S_{\Sigma} + N_{INT} \cdot t \cdot S_C$  – volume of solid material,

$V_F = N_{INT} \cdot t \cdot S_F$  – volume of infill structure.

The measured mass  $m$  of the sample:

$$m = V_{SM} \cdot \rho_N + V_F \cdot \rho_A,$$

$\rho_N$  – density of solid material,

$\rho_A$  – actual density of infill structure.

Thus, the actual density of infill structure:

$$\rho_A = \frac{m - V_{SM} \cdot \rho_N}{V_F}$$

$$= \frac{m - [(N_L + N_U) \cdot t \cdot S_{\Sigma} + N_{INT} \cdot t \cdot S_C] \cdot \rho_N}{N_{INT} \cdot t \cdot S_F}$$

The mass of the sample is composed of the weight of solid material and the weight of air:

$$m_F = m_N + m_{AIR}$$

$$\rho_A \cdot V_F = \rho_N \cdot V_N + \rho_{AIR} \cdot V_{AIR},$$

$\rho_{AIR}$  – air density,

$V_N$  – volume of solid material in the infill structure,

$V_{AIR}$  – volume of air in the infill structure.

Taking into account  $V_F = V_N + V_{AIR}$  and

$V_N = V_F \cdot \frac{A_{ACT\%}}{100\%}$  the formula was obtained:

$$\rho_A \cdot V_F = \rho_N \cdot V_F \cdot \frac{A_{ACT\%}}{100\%} + \rho_{AIR} \cdot V_F \cdot \left(1 - \frac{A_{ACT\%}}{100\%}\right),$$

$A_{ACT\%} = \frac{\rho_A - \rho_{AIR}}{\rho_N - \rho_{AIR}} \cdot 100\%$  – actual volume fraction of the infill structure.

Neglecting the density of air, the following dependence was obtained:

$$A_{ACT\%} = \frac{m - [(N_L + N_U) \cdot t \cdot S_{\Sigma} + N_{INT} \cdot t \cdot S_C] \cdot \rho_N}{N_{INT} \cdot t \cdot S_F \cdot \rho_N} \cdot 100\%$$

Calculation of the tensile strength of the infill structure (without taking into account the strength of the shell) was made on the basis of the following formula:

$$\sigma_B = \sigma_{BN} \cdot A_N + \sigma_{BF} \cdot A_F$$

$\sigma_B$  – tensile strength of the entire sample,

$\sigma_{BN}$  – tensile strength of solid nylon (due to the change in material properties because of thermal stresses, the maximum tensile strength of 100%-filled sample was used),

$\sigma_{BF}$  – tensile strength of the infill structure,

$A_N$  – percentage of solid nylon contour in cross-section,

$A_F$  – percentage of infill structure in cross-section.

Taking into account the geometrical parameters of each sample (number of upper, intermediate and lower layers, working cross-section width, track width (Figure-3), the values of  $A_N$  and  $A_F$  were calculated:

$$A_N = \frac{(N_U + N_L) \cdot b + 2b_{TR} \cdot N_{INT}}{(N_U + N_L + N_{INT}) \cdot b}$$

$$A_F = \frac{N_{INT} \cdot (b - 2b_{TR})}{(N_U + N_L + N_{INT}) \cdot b}$$

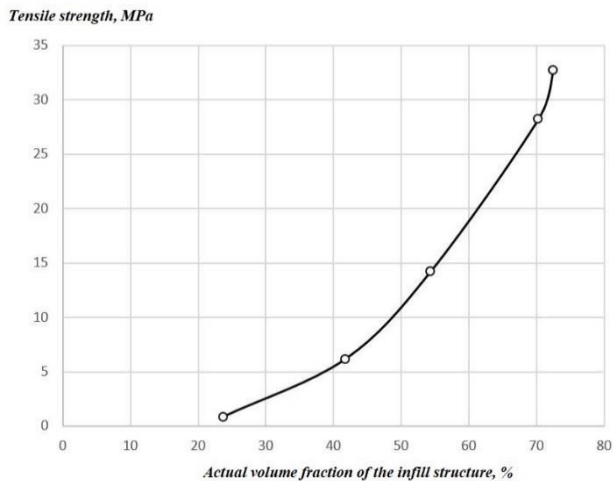
The obtained dependence for the tensile strength of the infill structure:

$$\sigma_{BF} = (\sigma_B - \sigma_{BN}) \cdot \frac{(N_U + N_L) \cdot b + 2b_{TR} \cdot N_{INT}}{(N_U + N_L + N_{INT}) \cdot b} \cdot \frac{(N_U + N_L + N_{INT}) \cdot b}{N_{INT} \cdot (b - 2b_{TR})}$$

Based on the obtained values of the volume fractions (theoretical and actual) and the strength of the infill structure of each sample, the arithmetic mean values were determined (Table-3) and the dependence was obtained (Figure-8).

**Table-3.** Average arithmetic values of the volume fraction and the tensile strength of the infill structure.

Average theoretical infill structure volume fraction $\bar{A}_T\%$ , %	Average actual infill structure volume fraction $\bar{A}_{ACT\%}$ , %	Average infill structure tensile strength $\bar{\sigma}_{BF}$ , MPa
20	23,71	0,83
40	41,74	6,15
60	54,35	14,20
80	70,23	28,20
100	72,49	32,70



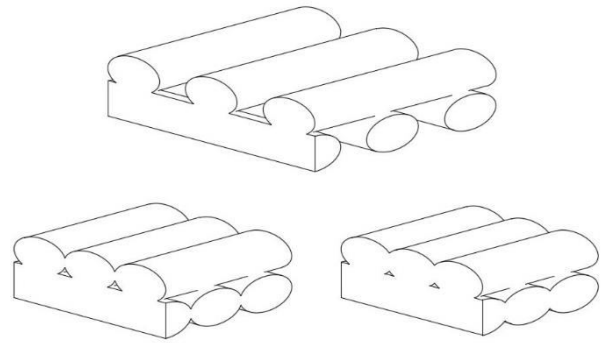
**Figure-8.** Dependence of the tensile strength on the actual volume fraction of the infill structure.

## DISCUSSION AND CONCLUSIONS

The obtained results show that with the increase of the volume fraction of the infill structure, the discrepancy between the pre-production (theoretical) and actual values are growing. This can be explained by the fact that the material has time to partially cool before reaching the bed, and is stacked as an oval-shaped track (Figure-8). As a result, voids are formed, leading to a decrease of the volume fraction of plastic. The increase of the volume fraction and, as a consequence, the supply of material, leads not so much to a decrease of these voids as to an increase of the cross section of the sample. Thus, the conducted experiment did not allow establishing dependence in the area from 72 to 100% of the infill structure, which doesn't make it possible to compare samples fabricated by the FFF technology and cast samples.

Nevertheless, this dependence can be useful in choosing the volume fraction of the infill structure in the obtained range of values depending on the required strength characteristics.

Carrying out a qualitative assessment of the results, it can be noted that after increasing the volume fraction of the infill structure above 60%, a significant increase in strength occurs (Figure-8). The ultimate strength of the fabricated samples is determined not only by the amount of material, but also by the contact between the parallel tracks. Observation of the manufacturing process showed that when setting a theoretical volume fraction of infill structure in the range of 20-40%, neighboring tracks of the same layer do not touch each other. When the parameter is increased to 60% (which corresponds to the actual value of 54%), the parallel tracks contact (Figure-9), which leads to the formation of a continuous layer and increases the strength of the entire sample.



**Figure-9.** Tracks interaction of different theoretical volume fractions of the infill structure: 40% (top), 80% (left), 100% (right).

Thus, the observation of the production of samples from nylon and the tensile tests made it possible to establish a relation between the internal structure and the strength properties of the samples, and to characterize the effects that occur during the printing process.

## ACKNOWLEDGEMENTS

The work is carried out with the financial support of the Ministry of Education and Science of the Russian Federation in the framework of state task No. 11.1267.2017/4.6.

The work is carried out using the equipment of the Center for Collective Use of MSTU "STANKIN".

## REFERENCES

- [1] Bourell D. L., Beaman J. J., Leu M. C., Rosen D. W. 2009. A brief history of additive manufacturing and the 2009 roadmap for additive manufacturing: looking back and looking ahead. Istanbul, Rapid Teach 2009 conference.
- [2] Fedulov V. M., Fedulova Yu. S., Kulik E. E. 2017. Influence of technological modes of FDM-printing on the surface quality of ABS and PLA parts. P. A. Solovyov RSATU Bulletin. 4(43): 162-167.
- [3] Gibson I., Rosen D., Stucker B. 2015. Additive manufacturing technologies: 3D printing, rapid prototyping, and direct digital manufacturing. Second Edition. New York, Springer-Verlag Publ. 498.
- [4] Grigoriev S. N. 2008. The solving of problems of technological re-equipment of mechanical engineering. Tool-Technology-Equipment. 10: 14-19.
- [5] Grigoriev S. N., Tarasova T.V. 2015. Possibilities of additive manufacturing technology for the manufacturing of complex profile parts and the production of functional coatings for the production

of powders. *Metal Science and Heat Treatment of Metals*. 10: 5-11.

- [6] ISO/ASTM 52900:2015 Additive manufacturing - General principles - Terminology. Switzerland, ISO/ASTM International. 19.
- [7] Ivanova A. E., Kolmakov S. S., Skuibin B. G., Laptev I.A. 2016. Investigation of the strength of samples printed by FDM technology. Digest of proceedings of the XVI international teaching and methodological conference Modern physical practicum. Moscow. 277-278.
- [8] Krasnovskiy A. N., Grigoriev, S. N. 2012. A study of the process of continuous forming of nanocrystalline composite powders. *Metal Science and Heat Treatment*. 54(1-2): 13-16.
- [9] Mashkov Yu. K., Baibaratskaya M. Yu., Grigorevsky B. V. 2002. Structural plastics and polymeric composite materials: tutorial. Omsk, OmGTU Publ. 129.
- [10] Mikheenko D. Yu, Mikheenko V. M. 2016. Consumables for 3D printing by the layer-by-layer fusing method (FDM / FFF). *Knowledge*. 11-1(40): 37-43.
- [11] Mohamed O. A., Masood S. H., Bhowmik J.L. 2015. Optimization of fused deposition modeling process parameters: a review of current research and future prospects. *Adv Manuf*. 3(1): 42-53.
- [12] Nazarov A. P., Skornyakov I. A., Shishkovsky I. V. 2018. The setup design for selective laser sintering of high-temperature polymer materials with the alignment control system of layer deposition. *Machines*. 6, 11.
- [13] Perepelkin K. E. 2009. Reinforcing fibers and fibrous polymeric composites. Monograph. St. Petersburg, Scientific basics and technologies Publ. 380.
- [14] Skorikov P. V., Trubin P. P. 2016. Mathematical model of the strength of a part printed by FDM technology. Digest of scientific articles of the international scientific and technical conference Automation of technological processes of machining, hardening and assembling in mechanical engineering. Kursk. 284-288.
- [15] Skornyakov I. A., Tarasova T. V. 2016. Possibilities of additive technologies in the production of polymer composite materials. *Mechanical engineering: traditions and innovations: proceedings of the scientific and technical conference*. Moscow. 86-88.
- [16] Tarasova T. V., Gusarov A. V., Protasov K. E., Filatova A. A. 2017. Influence of thermal fields on the structure of corrosion-resistant steels under various schemes of laser treatment. *Metallurgy and heat treatment of metals*. 7: 33-44.
- [17] Tarasova T. V., Khmyrov R. S. 2017. Manufacturing of parts by selective laser melting from metal-powder composite materials. *MSTU "STANKIN" Bulletin*. 3: 56-60.
- [18] Zlenko M. A., Nagaytsev M. V., Dovbysh V.M. 2015. Additive technologies in mechanical engineering: a manual for engineers. Moscow, NAMI Publ. 220.