



Science Arts & Métiers (SAM)

is an open access repository that collects the work of Arts et Métiers Institute of Technology researchers and makes it freely available over the web where possible.

This is an author-deposited version published in: <https://sam.ensam.eu>
Handle ID: <http://hdl.handle.net/10985/8655>

To cite this version :

Jean-François DUGUEY, Eric SEMAIL, Najib ROUHANA - DISPOSITIF DE COMMANDE D'ONDULÉURS ET PROCÉDÉ ASSOCIÉ. 2014-09-01. Brevet n° 1458162

Any correspondence concerning this service should be sent to the repository

Administrator : scienceouverte@ensam.eu



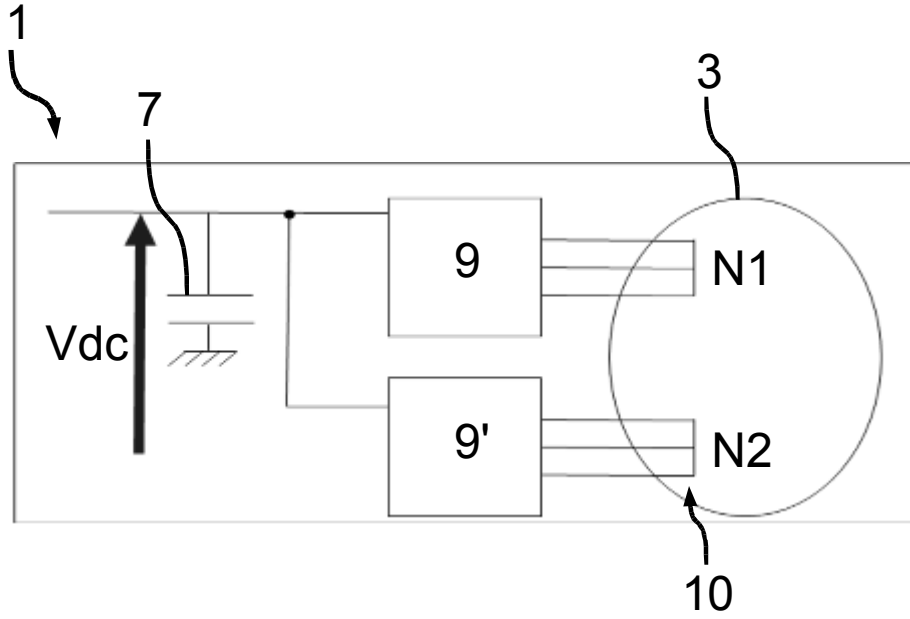


Fig.1

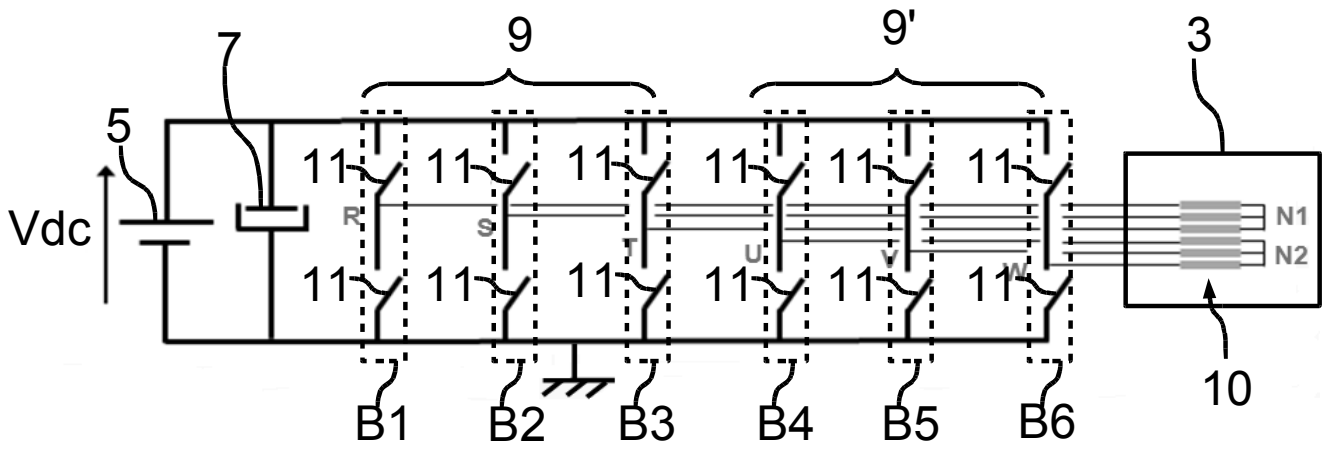


Fig.2

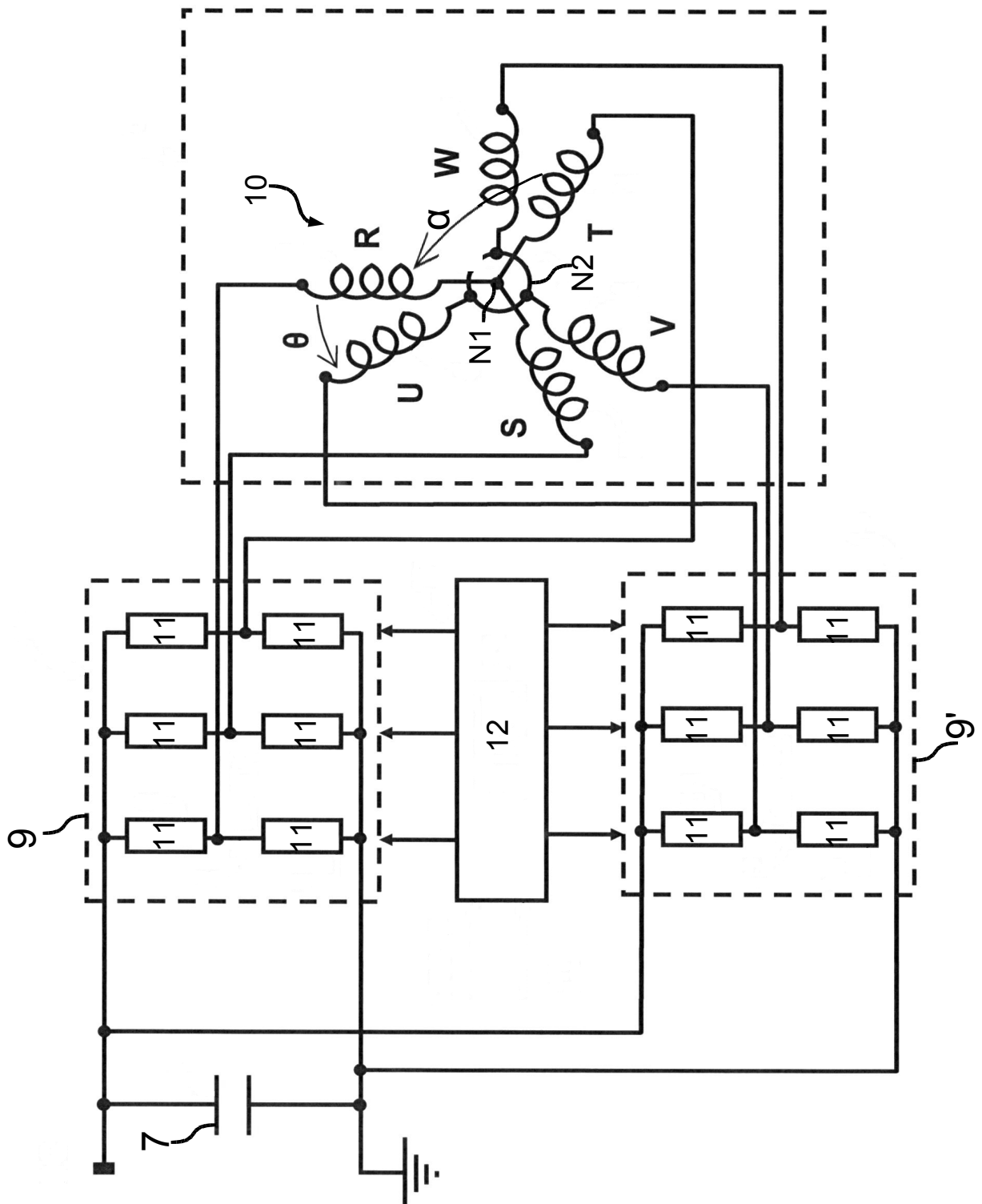


Fig.3

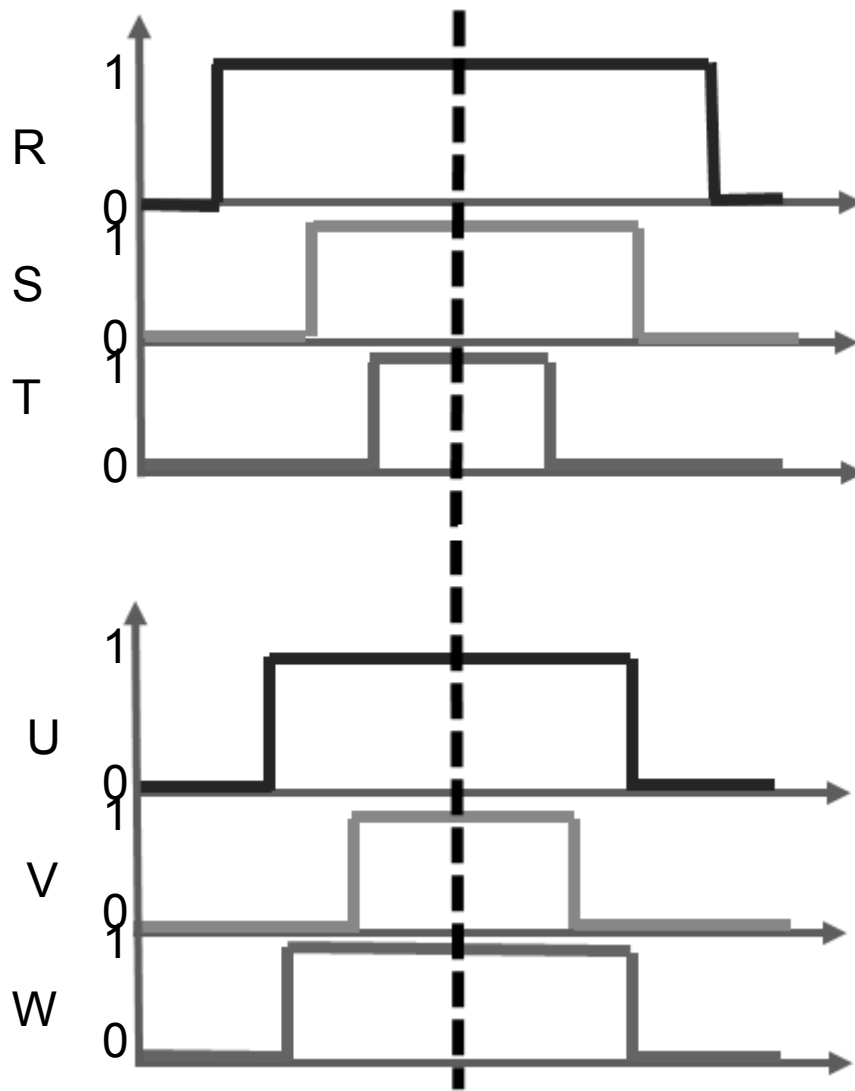


Fig.4

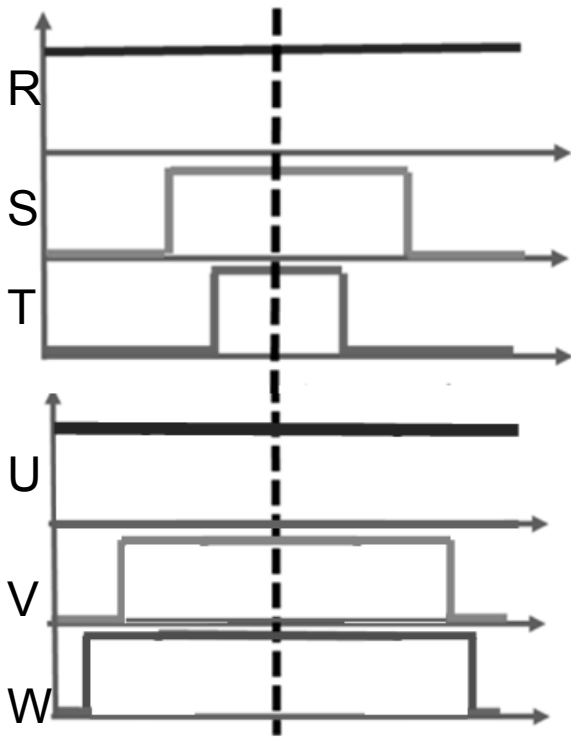


Fig.5a

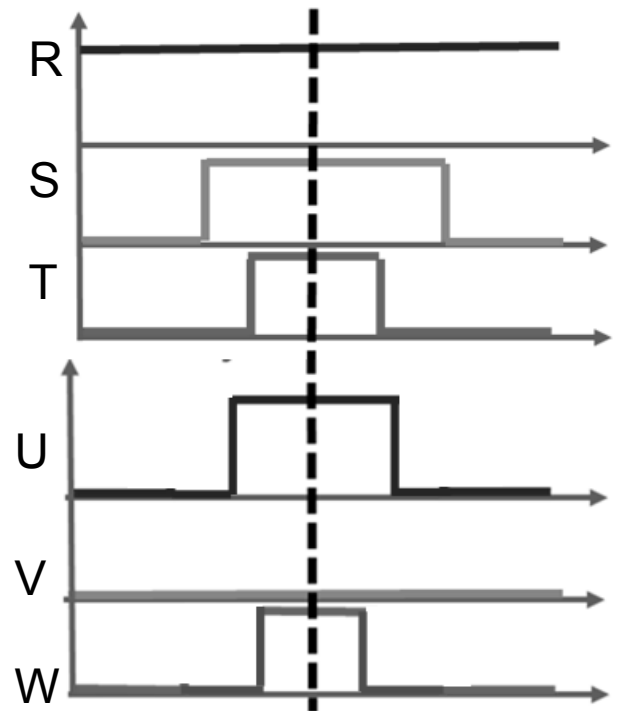


Fig.5b

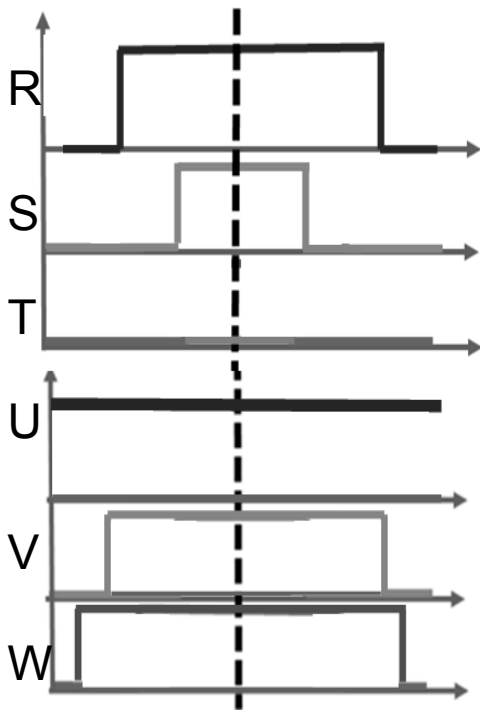


Fig.5c

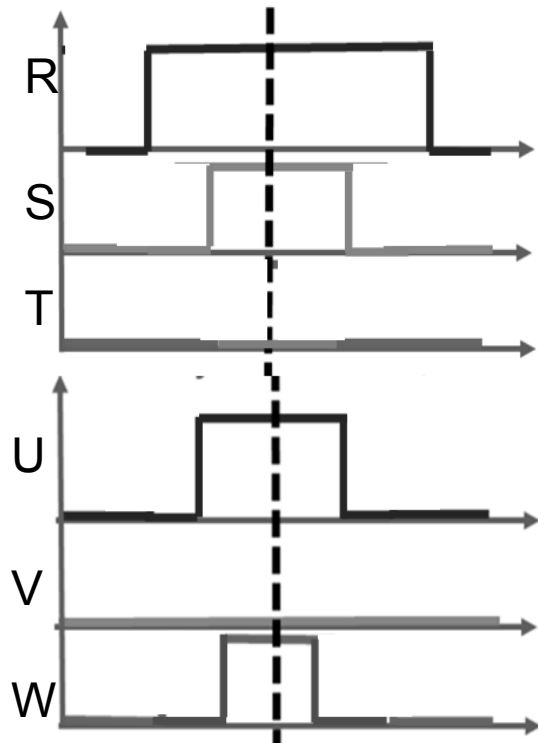


Fig.5d

5/6

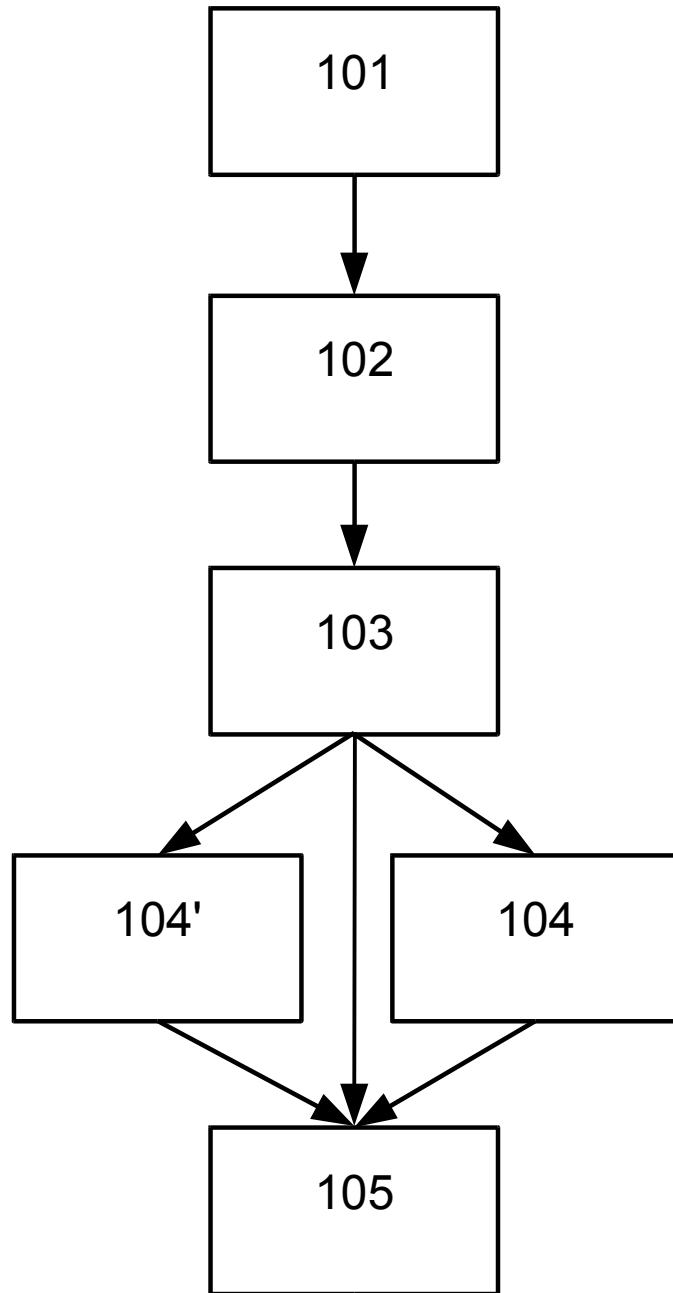


Fig.6

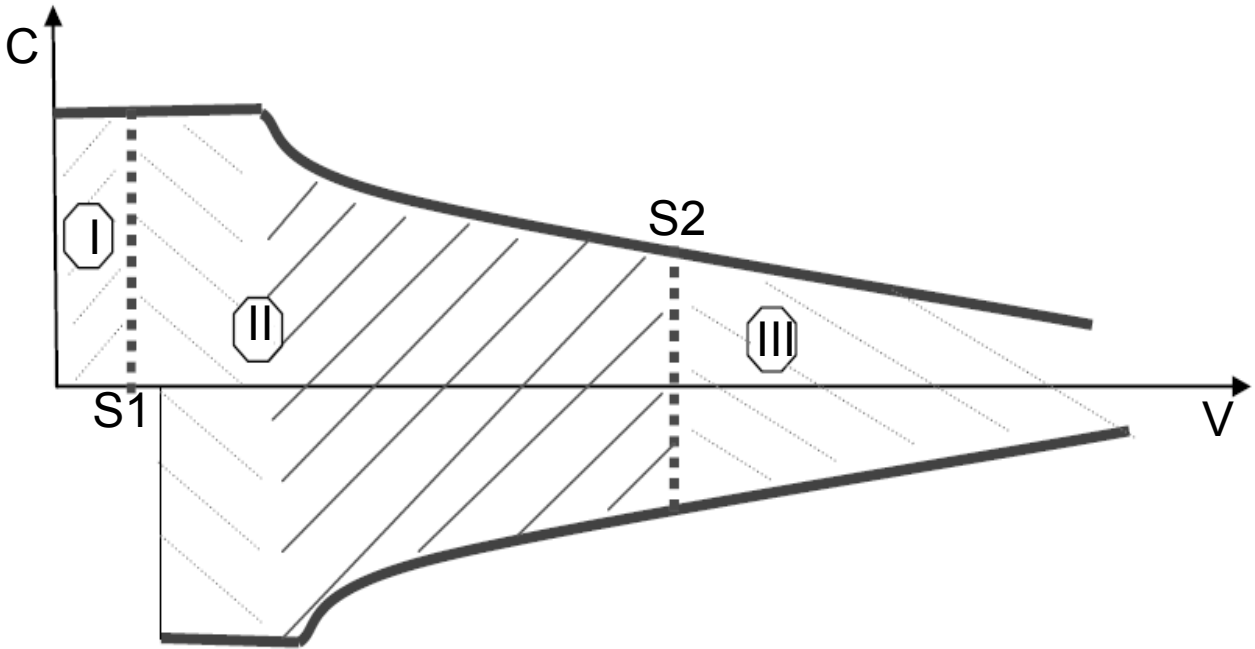


Fig.7