



Science Arts & Métiers (SAM)

is an open access repository that collects the work of Arts et Métiers Institute of Technology researchers and makes it freely available over the web where possible.

This is an author-deposited version published in: <https://sam.ensam.eu>
Handle ID: <http://hdl.handle.net/10985/9263>

To cite this version :

Antoine BRUYERE, Alain BOUSCAYROL, Jacques CHARLEY, Fabrice LOCMONT, Jean-Marc DUBUS, Jean-Claude MIPO, Eric SEMAIL - Modeling and Control of a 7-phase Claw-pole Starter-alternator for a Micro-hybrid Automotive Application - In: IEEE Vehicle Power and Propulsion Conference, China, 2008-09 - Vehicle Power and Propulsion Conference - 2008

Any correspondence concerning this service should be sent to the repository

Administrator : scienceouverte@ensam.eu



Modeling and Control of a seven-phase Claw-Pole Integrated Starter Alternator for Micro-hybrid Automotive Applications

A. Bruyere^{*,**}, E. Semail^{*}, A. Bouscayrol^{*}, F. Locment^{*}
J.M. Dubus^{**}, and J.C. Mipo^{**}

^{*} Arts et Métiers ParisTech / L2EP, Lille, France. Email: antoine.bruyere@gmail.com

^{**} Valeo Electrical System, Creteil, France. Email: jean-claude.mipo@valeo.com

Abstract—This paper deals with the modeling and the control of a new high power 12V Integrated Starter Alternator (ISA). This system is used to bring micro-hybrid functions to standard Internal Combustion Engine (ICE) vehicles. The drive is composed of a seven-phase synchronous claw-pole machine with separate excitation, supplied with a seven-leg Voltage Source Inverter (VSI) designed for low voltage and high current. The system is modeled in a generalized Concordia frame and a graphical description is used to highlight energetic properties of such a complex system. A control scheme is then deduced from this graphical description. Two controls are achieved in generator mode and compared: one is using the VSI in a square-wave mode, the other in a Pulse Width Modulation (PWM) mode. Experimental results are provided.

Keywords—multiphase machine, starter-alternator, control, automotive applications, micro-hybrid vehicle

I. INTRODUCTION

MICRO-HYBRIDATION offered by starter-alternators allows a fuel consumption reduction of conventional vehicles at very low cost [1]-[2]. Starter-alternators can be integrated in standard Internal Combustion Engine (ICE) vehicles. They are a step towards other complex and expensive hybrid technologies [3]-[5] that need a deep transformation of the mechanical powertrain. For this reason, many car manufacturers work on the standardization of this kind of technology, for all gasoline or diesel, small or big-size engines. The aims of the electrical machine used in a starter-alternator system are both: starting the ICE vehicle and recharging the lead-acid battery. The main difficulties for designers are to make a cheap drive, working under the low DC-bus voltage level (12V), and able to provide a sufficient starting torque. The Valeo StARS system (StARS for Starter Alternator Reversible System) already equips small-size gasoline engine cars with a classical 12V battery [1]. It uses the cheap common three-phase claw-pole generator installed in classical cars. However, a Voltage Source Inverter (VSI) is used to work in starter and alternator modes instead of the diode-bridge. In order to extend the range of this kind of claw-pole starter-generator vehicles, a seven-phase structure has been developed [6]. The high number of phases can improve the power flow rate between the machine and the battery and increase the torque density of

the machine [7]-[9] by using concentrated windings. Concerning the control, compared with a three-phase VSI, the seven-leg VSI adds degrees of freedom. With more freedom degrees, more constraints can be taken into account in order to improve the global performances. However, these numerous degrees of freedom and the variable excitation field require more complex control laws.

In this paper, an original control scheme is developed for the seven-phase starter-alternator. This control scheme is derived from a specific modeling. In the first section, the drive and the experimental set-up are presented. In the second section, the system is modeled in a generalized Concordia frame. Energetic Macroscopic Representation (EMR) is then used to organize the equations in a synthetic way and a control scheme is deduced from this graphical description. In the last section, two controls in generator mode are analyzed. The first one is based on a square-wave modulation of the VSI. The second control is based on a Pulse Width Modulation (PWM).

II. PRESENTATION OF THE SEVEN-PHASE DRIVE AND MODELLING IN THE STATOR FRAME

A. Interest of the seven-phase claw-pole drive

Basically the machine is a claw pole machine, also called Lundell alternator, widely used in vehicles [1]-[2] because of its low costs of production. In order to increase the torque density necessary for the starter mode, magnets are inserted between the claws of the rotor (Figure 1.). If it is still necessary to improve the torque without increasing the machine volume, one solution is to decrease the volume of the inactive copper end windings. In the presented starter-alternator the iron stack length of the seven-phase version can be increased by a 17% factor, increasing in the same proportion the active length of copper windings (Figure 2. and Figure 3.). This solution is obtained by using fractional-slot concentrated windings (Figure 3.). This kind of winding is a promising solution especially if the number of phases is not any more imposed to three since the winding factor can be high with multiphase machine [10]-[13]).

Besides, the choice of the phase number can be also linked to constraints on the VSI. For 12V high power

starter-alternators the current on the DC-bus is becoming very important (approximately 250A in the alternator mode, for a 3kW machine, and near than 1000A in the starter mode, for a 60 Nm machine). Consequently, for a three-leg VSI, it is not possible to use only one transistor per switch to withstand such high current levels. So, several components in parallel are required [14]. In this case, these transistors must have the same behavior all along the life of the system, relating to their control characteristics, in order to conduct and stop simultaneously. Oversizing is often necessary to ensure sufficient margin security. The increase of the number of phases can naturally alleviate this kind of problem. Moreover, on the contrary with a three phase machine, it is still possible with a seven-phase machine to work with one or two phases opened [9][10][15]. The fault-tolerance, especially related to power electronics devices faults, can be increased.



Figure 1. Picture of a claw-pole rotor with permanent magnets inserted between the claws

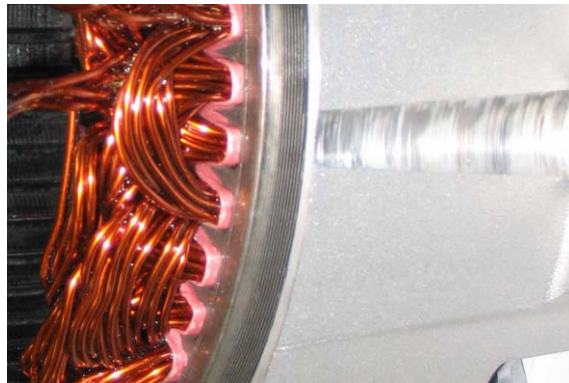


Figure 2. Picture of three-phase machine end windings

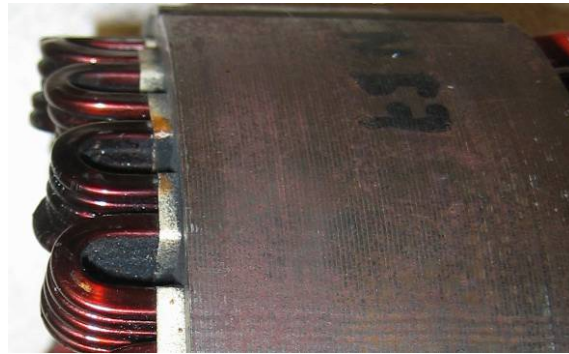


Figure 3. Picture of seven-phase machine end windings

B. Classical modeling of the seven-phase synchronous machine in the stator frame

In the stator frame, the seven-phase synchronous machine is modeled with the set of equations (1)-(2). In Figure 4. , a classical scheme is used to introduce the common notations: v_k , as the phase “ k ” voltage, i_k , this phase current. The position of the rotor is θ and the excitation field current is i_F . Equations (1)-(2) are described in the stator frame. In these two equations, R_S is the phase resistance value, Φ , the magnetic flux linked by the phase k . The matrix $[L_{SS}(\theta)]$ is the stator inductances matrix, whose terms depend on the position θ in the general case. M_{SR} is a Stator/Rotor linkage function which is used to represent the electromotive forces (emf) creation.

$$\begin{bmatrix} v_1 \\ v_2 \\ v_3 \\ v_4 \\ v_5 \\ v_6 \\ v_7 \end{bmatrix} = R_S \begin{bmatrix} i_1 \\ i_2 \\ i_3 \\ i_4 \\ i_5 \\ i_6 \\ i_7 \end{bmatrix} + \frac{d}{dt} \begin{bmatrix} \phi_1 \\ \phi_2 \\ \phi_3 \\ \phi_4 \\ \phi_5 \\ \phi_6 \\ \phi_7 \end{bmatrix} \quad (1)$$

$$\begin{bmatrix} \phi_1 \\ \phi_2 \\ \phi_3 \\ \phi_4 \\ \phi_5 \\ \phi_6 \\ \phi_7 \end{bmatrix} = [L_{SS}(\theta)] \begin{bmatrix} i_1 \\ i_2 \\ i_3 \\ i_4 \\ i_5 \\ i_6 \\ i_7 \end{bmatrix} + M_{SR} \begin{bmatrix} f(\theta) \\ f(\theta - 2\pi/7) \\ f(\theta - 4\pi/7) \\ f(\theta - 6\pi/7) \\ f(\theta - 8\pi/7) \\ f(\theta - 10\pi/7) \\ f(\theta - 12\pi/7) \end{bmatrix} i_F \quad (2)$$

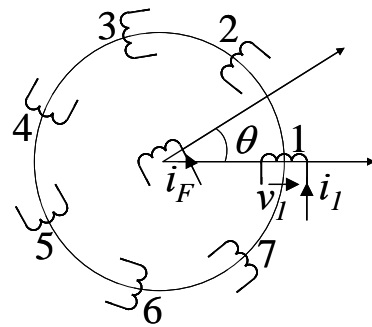


Figure 4. Schematic representation of the seven-phase synchronous machine with separate excitation

C. Experimental set-up

The drive is composed of a seven-phase wye-coupled synchronous machine with separate excitation. It is supplied with a seven-leg Voltage Source Inverter (Figure 5. and Figure 6.) connected to a 12V battery. For the tests shown in this paper, the DC-bus voltage V_{DC} is maintained constant ($V_{DC} = 12V$). A variable electronic load is used in parallel with this voltage source in order to

simulate the on-board electrical network energy consumptions. In Figure 6. , the experimental set-up picture shows the starter-alternator directly mechanically coupled to a brushless machine, used to simulate the ICE behavior. The whole system is managed using a dSpace DS1006 control board.

D. Example of open loop Square Wave control in alternator mode

In this paper, the tests are provided in the alternator mode of the drive, at a constant rotation speed ($N=1800$ rpm). For the first test, each VSI leg is controlled with a rectangular pulse commutation command synchronized with θ angle, so that each switch is imposed to be closed during half of the electrical period. This control mode is a classical “180°” Square Wave (SW) control mode. In this mode, two degrees of freedom are available for controlling the power delivered by the electrical machine: the excitation current level i_{exc} and the position θ_{start} . In this example, i_{exc} is imposed to a constant value ($i_{exc} = 2.25$ A) and θ_{start} is imposed to be optimal for the power transfer. In these conditions, the delivered power to the electronic load is $P_{delivered} = 830$ W.

In order to simplify the comparisons, all experimental results are given at the fifth page (Figure 10. and Figure 11.). The results for the open loop 180° SW control test are given in the parts “(a)” of these figures. The first main observation concerns the high maximal value of the currents, about 130A, that implies two major problems. First, these high peaks of current have to be withstood by the power electronics switches. Secondly, the lack of control on the current waveform can lead to parasitic phenomena as noisy torque ripples (Figure 12.).

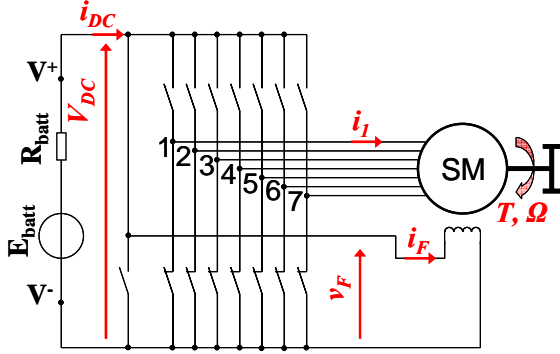


Figure 5. Schematic representation of the drive

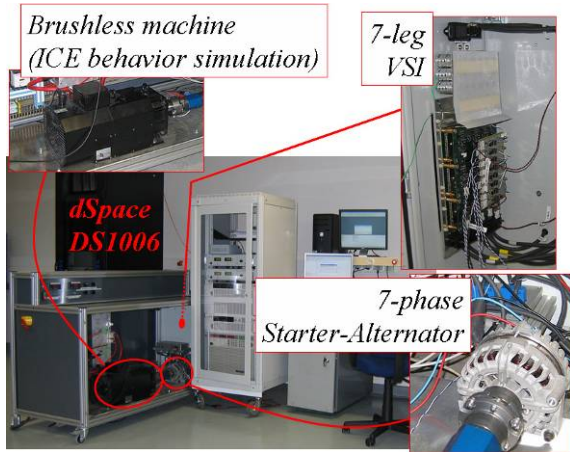


Figure 6. Experimental set-up picture

III. THE SEVEN-PHASE DRIVE CONTROLLED IN THE GENERALIZED CONCORDIA FRAME

Looking at (1), seven voltages can be controlled, offering six independent freedom degrees (because of the wye-electrical-coupling). Another freedom degree is given with the excitation field current. With the 180° square wave control only two degrees of freedom are used. In this part, the generalized Concordia transformation [9], [16], [17] and the Energetic Macroscopic Representation (EMR) formalism [9], [18] are used to highlight all the degrees of freedom and to organize the model in order to easily build an efficient control structure. The aim of this second experimental test is fixed to get smoother phase currents in the same conditions than the previous test, with a same delivered power.

A. Projection of the seven-phase synchronous machine problem in the generalized Concordia frame

Studying the special case of a seven-phase synchronous machine, the projection of the problem (1)-(2) in the generalized Concordia frames leads to the definition of three orthogonal dq-subspaces [9], [16], [17]. These subspaces are named “S1-subspace”, “S2-subspace” and “S3-subspace” (or S1, S2 and S3). Considering the assumptions of a smooth poles machine and linear magnetic materials, this mathematic transformation leads to a perfectly decoupled set of voltage equations, expressed with (3). In (3), the first equation is related to the 0-sequence i_0 component, in a 0-sequence one-dimensional subspace; it will be ignored because the electrical wye-coupling of the machine leads to an always null i_0 current. Then, in S1, S2, S3, the rotating dq-frames are defined using the e_{Sk-q} projection in S_k of the emf vector.

Considering the simplified model (3), the currents are now slow varying values to be controlled. This new model leads to a very standard and simple scheme (Figure 7.) for controlling each dq-currents expressed, in the 3 subspaces S1, S2 and S3.

$$\begin{cases} v_0 = L_0 \frac{d(i_0)}{dt} + R_S i_0 + e_0 \\ v_{S1-d} = L_{S1} \frac{d(i_{S1-d})}{dt} + R_S i_{S1-d} \\ v_{S1-q} = L_{S1} \frac{d(i_{S1-q})}{dt} + R_S i_{S1-q} + e_{S1-q} \\ v_{S2-d} = L_{S2} \frac{d(i_{S2-d})}{dt} + R_S i_{S2-d} \\ v_{S2-q} = L_{S2} \frac{d(i_{S2-q})}{dt} + R_S i_{S2-q} + e_{S2-q} \\ v_{S3-d} = L_{S3} \frac{d(i_{S3-d})}{dt} + R_S i_{S3-d} \\ v_{S3-q} = L_{S3} \frac{d(i_{S3-q})}{dt} + R_S i_{S3-q} + e_{S3-q} \end{cases} \quad (3)$$

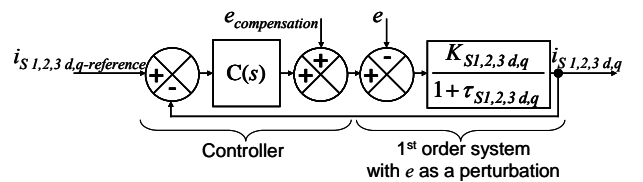


Figure 7. Control of one single axis of a dq subspace

B. Energetic Macroscopic Representation and deduced control structure

Six independent equations are thus obtained. These equations are considered by pairs, in Concordia subspaces, along d- and q-axes. For the EMR (Figure 8.), this two-dimensional subspace notion is used. Using EMR [18], the orange elements depict the energetic system and the blue elements describe the control structure (cf. appendix A1). Two main properties of EMR are:

- The respect of the natural causality;
- Each action value goes in pair with its reaction value (right and left oriented arrows) and the product of both action and reaction is the power.

In the EMR of the system, (Figure 8.), the excitation current (symbolized by the upper element with accumulation of energy; cf. A1) interacts with each S1, S2 and S3 subspaces and participates to the creation of the electromotive forces and the torques T_{S1} , T_{S2} , T_{S3} . The total torque T is the sum of these three torques (overlapped triangle).

Then, the control structure is obtained by inversion of the tuning chain with the respect of the natural causality. This, in order to avoid time-consuming algebraic loops. The control of each current is achieved independently from the others. Figure 9. gives the details of the electrical model (3) represented with EMR. The control blocks of the dq-currents are also detailed. In these control blocks, we can notice that the electromotive force \bar{e} is compensated. The controllers $C_d(s)$ and $C_q(s)$ are Proportional Integral (PI) controllers, which transfer function form is $K_p + K_i/s$, where K_p is the proportional gain and K_i the integral gain of the controller. After identification of the inductive and resistive parameters of the drive [19], these PI controllers are tuned for each d- and q-axes, in S1-, S2- and S3-subspaces, using the KLV method [20].

C. Control for smoother stator currents

For this second test, the rotation speed is the same as the first test speed; $N = 1800$ rpm. As e_{S2-q} and e_{S3-q} are weak in comparison with e_{S1-q} , it is chosen to control the energy flow only through the S1 subspace. Thus, the S2 and S3 d- and q- currents are controlled to be null. In order to minimize the copper losses for a given torque (see (3)), i_{S1-d} is also chosen to be null. Then, i_F is tuned to the minimal value in order to get the same delivered power than the previous test. $P_{delivered} = 830$ W for $i_F = 3$ A.

The objective of smoother current is established. The maximal stator currents value is 55A, in comparison with 130_A for the SW mode. This decrease of more than 50% concerning the maximal amplitude of the currents can be compared with the increase of the excitation by 33% (from 2.25_A to 3_A). With this PWM mode, in the generalized Concordia frame, currents in S1, S2, S3 subspaces are controlled.

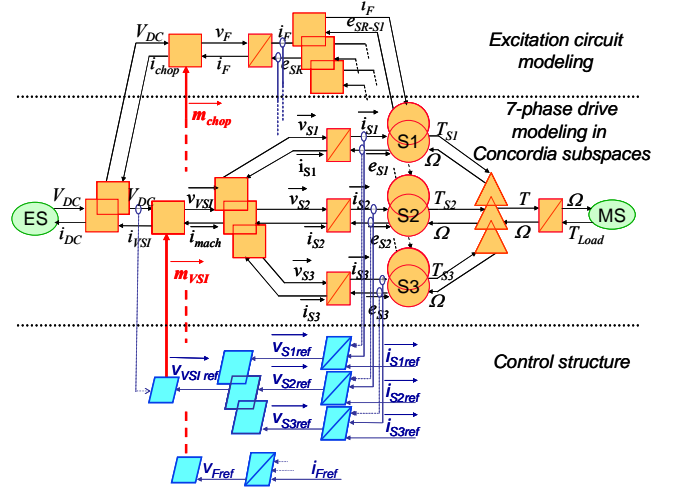


Figure 8. EMR modeling and control of the seven-phase synchronous machine with separate excitation in the generalized Concordia frame

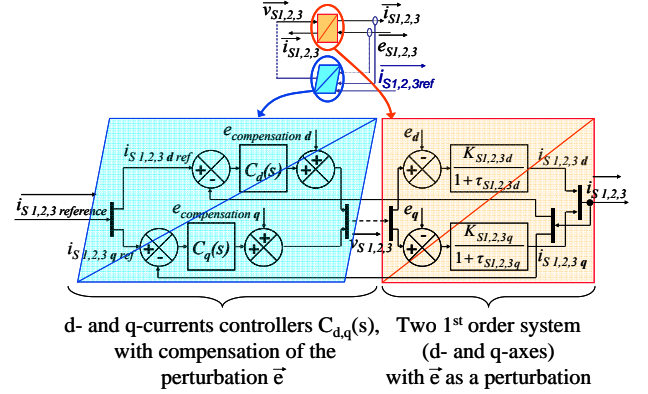


Figure 9. Model and control structure of the currents in the dq-subspaces

IV. COMPARISON BETWEEN TWO EXPERIMENTAL TESTS FOR BOTH SW AND PWM CONTROLS

A comparison of the two experimental tests in the generator mode of the machine is given with Figure 10. , Figure 11. and Figure 12. . For each figure, the “(a)” part concerns the open loop Square Wave (SW) control mode, and the “(b)” part concerns the closed loop Pulse Width Modulation (PWM) control mode established in the generalized Concordia frame.

Concerning the currents waveform in the stator frame (Figure 10.), the difference between the two modes is obvious. Without controlling the currents (SW mode), the maximal phase currents value is about 130_A and about 55_A when the currents are controlled in the generalized Concordia frame. The delivered electrical power is the same for both tests (in the generator mode of the machine, for these experimental tests, $P_{delivered} = 830$ W).

Then, regarding the currents in the control-S1-, S2- and S3-subspaces (Figure 11.), it can be also noticed that:

- In the S1-subspace, the current along the d-axis (i_{S1-d}) is not null with the SW mode, which indicates that the copper losses are not minimized;
- The pulsating currents observed in S2- and S3-subspaces, with the SW mode, are at the origin of pulsating torques (Figure 8.).

Concerning the torque, Figure 12. shows the difference between the measured torques for both control modes: a better control of the currents in the generalized Concordia frame allows the reduction of the torque ripples, from about 12Nm with the SW control mode, to about 6Nm

with the PWM control established in the generalized Concordia frame. These torque pulsations can be at the origin of noise [21], which is particularly embarrassing with this kind of automotive application at low speeds.

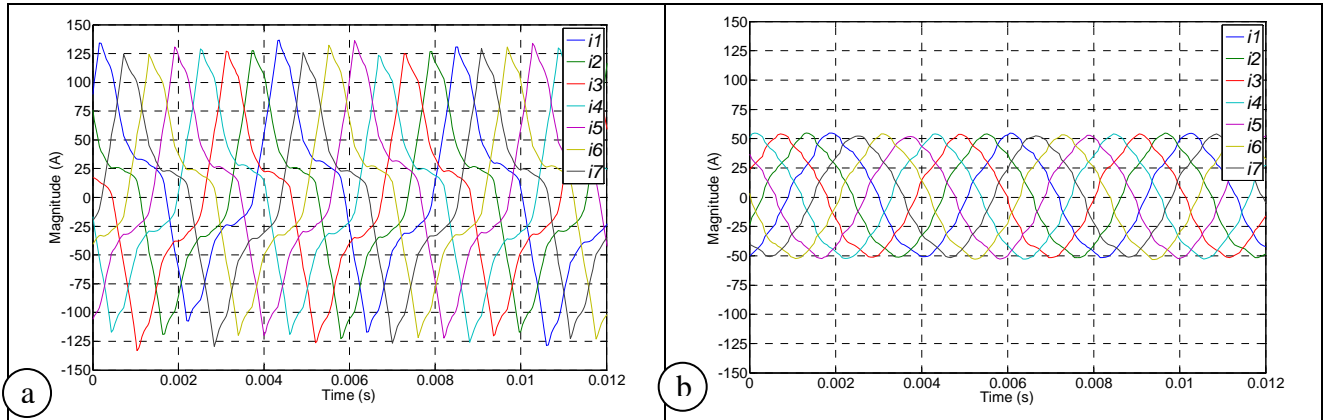


Figure 10. Currents waveforms in the stator frame:

for the open loop 180° square wave control (a): $N = 1800$ rpm, $i_F = 2.25$ A, $P_{\text{delivered}} = 830$ W, and for the PWM control in the generalized Concordia frame (b), $N = 1800$ rpm, $i_F = 3.00$ A, $P_{\text{delivered}} = 830$ W

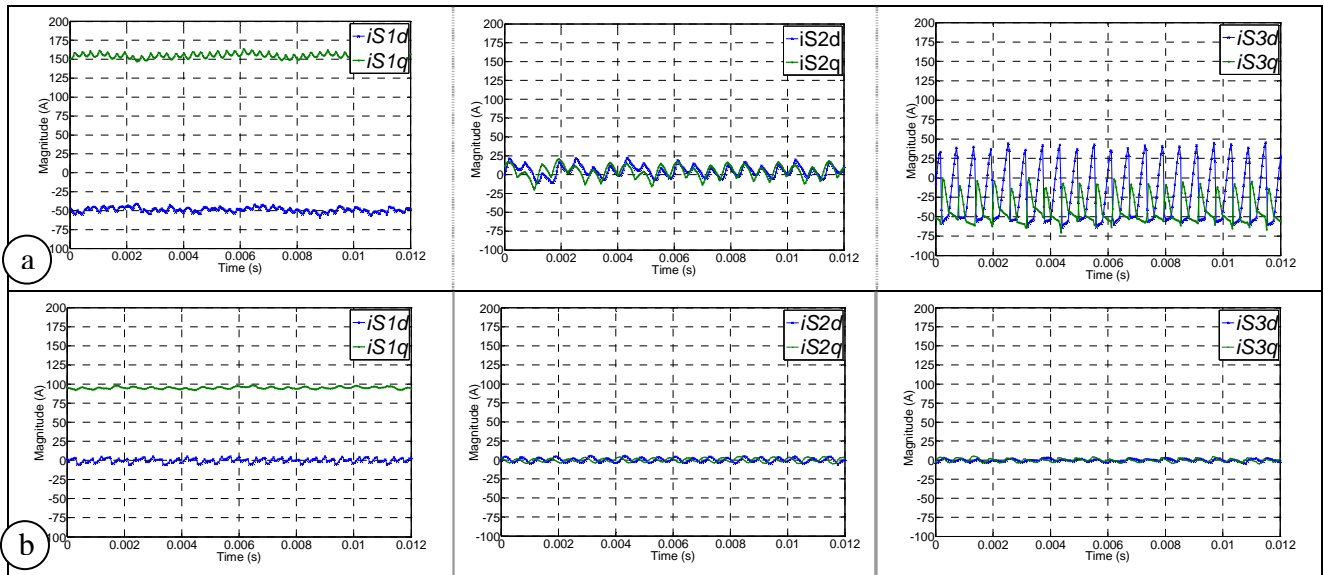


Figure 11. Projection of the stator currents in the S1, S2 and S3 subspaces,

for the open loop 180° square wave control (a) and for the PWM control in the generalized Concordia frame (b) (the delivered electrical power is the same for both tests, in the generator mode of the machine, $P_{\text{delivered}} = 830$ W)

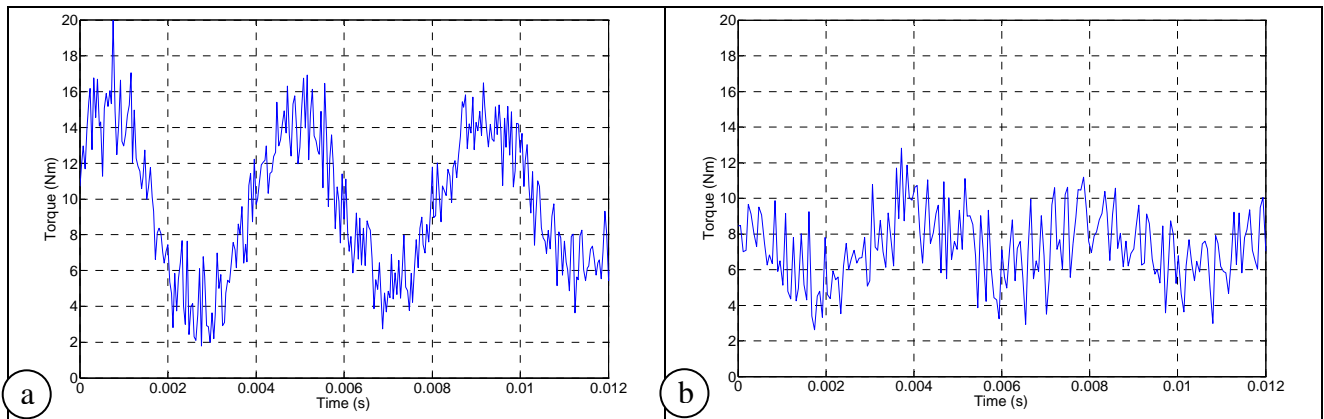


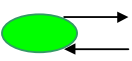
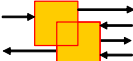
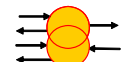
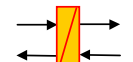
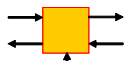



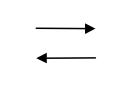
Figure 12. Torque measurement for the open loop 180° square wave control (a) and for the PWM control in the generalized Concordia frame (b) (the delivered electrical power is the same for both tests, in the generator mode of the machine, $P_{\text{delivered}} = 830$ W)

V. CONCLUSION

A new starter-alternator with seven phases has been developed. It is a solution to extend this kind of micro-hybrid technology to powerful vehicles. The drive keeps the cheap claw-pole machine standard structure and a 12V battery. The present square-wave control of the VSI allows satisfying the objective on power. Nevertheless, harmonics of currents are not controlled. In this paper, a modeling of the drive has been developed in order to improve the quality of the phase currents waveform. A generalized Concordia transformation is used to project the model of the seven-phase drive, from a seven-dimensional space to three independent 2-dimensional subspaces. Moreover, the use of EMR formalism gives a global synthetic graphical view of the energetic flows in the generalized Concordia frame. The structure of control is easily deduced by a systematic inversion in respect with causality. The interest of this control is shown by the comparison of two kinds of control in terms of quality of currents waveform. Smoother currents with the control established in the generalized Concordia frame lead to a smoother measured torque.

APPENDIX

A1: Elements of EMR and of control:

	Source of energy		Electrical coupling device (energy distribution)
	Electromechanical converter with electrical coupling		Element with energy accumulation
	Electrical converter (without energy accumulation)		Mechanical coupling device (energy distribution)
	Control block with controller		Control block without controller
	Action and reaction variables. Product of both is the power.		

REFERENCES

[1] D. Richard, Y. Dubel, "Valeo StARS Technology: A competitive Solution for Hybridization", *Power Conversion Conference, PCC'07 Nagoya, Japan*, pp. 1601-1605, April 2007, ISBN: 1-4244-0844-X.

[2] Boldea, "Starter/Alternator Systems for HEV and Their Control: A Review", *KIEE International Transactions on Electrical Machinery and Energy Conversion Systems*, Vol. 4-B No. 4, pp. 157-169, 2004.

[3] C.C. Chan, "The state of the art of electric, hybrid, and fuel cell vehicles". *Proc. of the IEEE*, Vol. 95, No.4, pp. 704 - 718, April 2007.

[4] V. Wouk, "Hybrids: then and now", *IEEE Spectrum*, Vol. 2, Issue 7, pp. 16-21, ISSN : 0018-9235, July 1995.

[5] M. Ehsani, Y. Gao, S. E. Gay, A. Emadi, "Modern Electric, Hybrid Electric, and Fuel Cell Vehicles", *CRC PRESS*, 2005, ISBN 0-8493-3154-4.

[6] J. M. Dubus, A. De Vries, D. Even and J. C. Mipo: "Polyphase stator of a rotating electrical machine with claw-pole rotor and alternator or alternator starter comprising same", French Patent WO 2007/031679 A2, March 2007.

[7] B. Zhang, H. Bai, S. D. Pekarek, W. Eversman, R. Krefta, G. Holbrook, D. Buening, "Comparison of 3-, 5-, and 6-Phase Machines For Automotive Charging Applications" *International Electric Machines and Drives Conference, EMDC'03 USA*, 1-4, vol.3, pp.:1357 - 1362, June 2003.

[8] F. Locment, A. Bruyere, E. Semail, X. Kestelyn, A. Bouscayrol and J. M. Dubus, "Comparison of 3-, 5- and 7-leg Voltage Source Inverters for low voltage applications", *IEEE International Electric Machines and Drives Conference, IEMDC 2007, Antalya, Turkey*, pp. 1234-1239, May 2007, ISBN: 1-4244-0743-5.

[9] F. Locment, E. Semail, X. Kestelyn, A. Bouscayrol, "Control of a seven-phase axial flux machine designed for fault operation", *IEEE International Conference On Industrial Applications of Electronics, IECON'06*, Paris, France, November 7 - 10, 2006, pp. 1101 - 1107.

[10] M. Abolhassani, "A novel multiphase fault tolerant high torque density permanent magnet motor drive for traction application", *Proc. of IEEE-IEMDC'05*, San Antonio, USA, May 2005, pp. 728-734.

[11] F. Scuiller, E. Semail, J.F Charpentier, « Multi-criteria based design approach of multiphase permanent magnet low speed synchronous machines", *IET Trans. Electric Power Applications*, in press.

[12] J. Cros, P. Viarouge, "Synthesis of high performance PM motors with concentrated windings", *IEEE Transaction on Energy Conversion*, Volume 17, Issue 2, Jun 2002 Page(s): 248 - 253.

[13] J. Figueroa, J. Cros, P. Viarouge, "Polyphase PM brushless DC motor for high reliability application", *Proc. of EPE 2003*, Toulouse (France), Sept.2003, CD-ROM.

[14] Jingbo Liu, Jiangang Hu and Longya Xu "Design and Control of a Kilo-Amp DC/AC Inverter for Integrated Starter-Generator (ISG) Applications", *IEEE industry applications conference*, October 2004, Seattle, USA.

[15] M. Abolhassani, "A Novel Multiphase Fault Tolerant Permanent Magnet Motor Drive for Fuel cell Powered Vehicles", *IEEE VPPC 2007*, Sept 2007, Texas, USA.

[16] J. Figueroa, J. Cros, P. Viarouge, "Generalized transformations for polyphase phase-Modulation motors", *IEEE Transaction on Energy Conversion*, Vol. 21, Issue 2, pp. 332-341, June 2006, ISSN: 0885-8969.

[17] E. Levi, R. Bojoi, F. Profumo, H. A. Toliyat, S. Williamson, "Multiphase induction motor drives- A technology status review", *Electric Power Applications, IET*, Vol. 1, issue 4, pp. 489-516, July 2007.

[18] A. Leclercq, P. Sicard, A. Bouscayrol, B. Lemaire-Semail, "Control of a triple drive paper system based on the Energetic Macroscopic Representation", *IEEE-ISIE'04*, proceeding pp. 889-893, Ajaccio, France, May 2004.

[19] A. Bruyere, E. Semail, F. Locment, A. Bouscayrol, J-M Dubus, J-C. Mipo, "Identification of sensitive R-L parameters of a multiphase drive by a vector control", *IEEE Power Electronics Specialists Conference, PESC08*, Rhodes, Greece, June 2008.

[20] I.D. Landau, A. Voda, "An analytical method for the auto-calibration of PID controllers", *Proceedings of the 31st IEEE Conference on Decision and Control*, vol. 4, pp. 3237-3242, Dec. 1992.

[21] J. F. Gieras, C. Wang, J. Cho Lai, "Noise of Polyphase Electric Motors", *Taylor & Francis book, CRC PRESS*, 2006, ISBN 0-8247-2381-3