



Science Arts & Métiers (SAM)

is an open access repository that collects the work of Arts et Métiers Institute of Technology researchers and makes it freely available over the web where possible.

This is an author-deposited version published in: <https://sam.ensam.eu>
Handle ID: <http://hdl.handle.net/10985/10070>

To cite this version :

Jorge SALGUERO, Moises BATISTA, Mariano MARCOS, Madalina CALAMAZ, Franck GIROT - Cutting Forces Parametric Model for the Dry High Speed Contour Milling of Aerospace Aluminium Alloys - Procedia Engineering - Vol. 63, p.735-742 - 2013

Any correspondence concerning this service should be sent to the repository

Administrator : scienceouverte@ensam.eu



The Manufacturing Engineering Society International Conference, MESIC 2013

Cutting Forces Parametric Model for the Dry High Speed Contour Milling of Aerospace Aluminium Alloys

J. Salguero^{a,*}, M. Batista^a, M. Calamaz^b, F. Giro^b, M. Marcos^a

^aMechanical Engineering and Industrial Design Department, University of Cadiz, c/ Chile 1, Cadiz E-11002, Spain

^bEcole Nationale Supérieure d'Arts et Métiers (ENSAM)-ParisTech, I2M-MPI Dept. Esplanade des Arts et Métiers, 33405 – Talence (FRANCE).

Abstract

Cutting forces is one of the most important outputs in material removal machining processes. Their values depend on a large number of parameters, such as the cutting tool material and geometry, the workpiece material or the cutting parameters, among others. In this paper, cutting forces behavior have been analyzed as a function of feedrate and cutting speed, for the high-speed peripheral milling of UNS A92024-T3 (Al-Cu) stacks. This alloy is widely used in the manufacturing process of aircraft structural elements. From this analysis, different parametric models have been adjusted to experimental data, establishing $F_n=f(f_z, V)$ relationships that allow an approximation to the values of force components for machining conditions dependent on those variables.

© 2013 The Authors. Published by Elsevier Ltd.

Selection and peer-review under responsibility of Universidad de Zaragoza, Dpto Ing Diseño y Fabricacion

Keywords: Cutting force; parametric model; high speed milling; dry machining; aluminium.

1. Introduction

A machining process is strongly dependent on a high number of variables and parameters (input), such as, among others, cutting speed, feed, depth of cut, tool material and geometry, lubrication and cooling, which has a considerable influence on the worked pieces quality. This influence is usually reflected in other variables and parameters (output), such as, among others, forces, temperature, tool life and tool wear. Cutting force is one of the most relevant output variables since the information that can provide for the machining process evaluation, Crrilero

* Corresponding author. *E-mail address:* jorge.salguero@uca.es

and Marcos (1996). This owes to that cutting forces depends on all the input variables and parameters; so, according to Axinte et al. (2011) and Sanchez et al. (2003), it can be written:

$$F = f(w_1, \dots, w_q, f, V, p, t_{g1}, \dots, t_{gp}, t_{m1}, \dots, t_{mr}, LR, r_1, \dots, r_n) \quad (1)$$

In this equation, w_i are the parameter related to the material to be machined; t_{gi} and t_{mi} are the parameters related to tool material and geometry; LR represents the lubrication and cooling conditions; finally, r_i are variables associated with the machining process and the rest of the cutting conditions.

Equation (1) is hardly controllable since the high number of variables that take place in it. However, if some pre-established conditions, such as lubrication, tool and cutting depth, are fixed for a specific process of a specific material, this equation can be reduced to only two variables: feed (f) and cutting speed (V), making easier its control. So, in this case, equation (1) is transformed to:

$$F = f(f, V) \quad (2)$$

High Speed Contour Milling (HSCM) is one of the machining processes in which cutting forces can be expressed by equation (1) or, more simply, by equation (2). HSCM is widely used in aeronautical industry for producing structural elements, Figure 1.

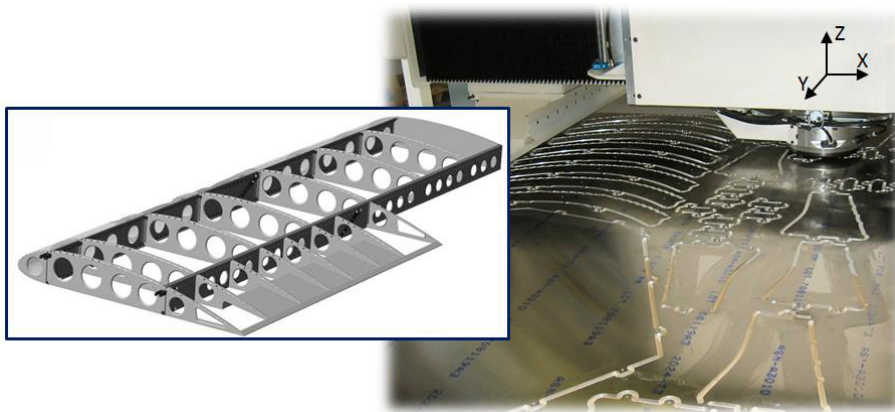


Fig. 1. Typical aeronautical structural elements made by HSCM

HSCM is habitually applied to high dimensions Aluminium sheet stacks in order to maximize the manufacturing process productivity. HSCM is commonly performed in *gantry* type machines with a treading head, which presses the sheets avoiding the axial displacement when the head is moving in the XY plane at a constant depth of cut. Later, the contoured plane pre-forms are plastically shaped and finished in a previous stage to assembly.

Empiric-experimental parametric models are commonly obtained from the mathematical adjustment of experimental data to pre-established math functions. These models are useful for approximating and predicting the output variables when input variables change. So, in particular, parametric exponential models have shown a good adjustment for macrogeometrical deviations, such as straightness and parallelism, Sanchez-Sola et al. (2012), in the dry turning of Aluminium alloys. However, according to Salguero et al. (2011) and Campatelli et al. (2012), in the same processes, potential models present the best adjustment for other output variables such as roughness or cutting forces.

In this work, a methodology for the study of the cutting forces in HSCM processes of UNS A92024-T3 (Al-Cu) stacks is presented. Additionally, a first proposal of cutting speed (V) and feed per tooth (f_z) based parametric

models for experimental components of cutting force, $F(f_z, V)$. These models have been developed from the individual models extracted from the marginal adjustment of the cutting force componets to each one of the input variables: $F(f_z)$ and $F(V)$.

2. Experimental work

The industrial process of High Speed Contour Milling of sheet stacks is hardly reproducible at a lab scale. On the other hand, it has not been possible to place a dynamometer in the Aeronautical Shop-floor where the HSCM is commonly carried out. Because of this, HSCM tests have been carried out in a Fatronik Hera machining Center equipped with a Siemens Sinumerik 840D Numerical Control. 10 mm wide and 40 mm length grooves on five 170x100x2 mm³ UNS A92024-T3 sheet stacks were performed in this CNC Center.

Stacks were prepared for being coupled to a Kistler 9257B dynamometric table through the mechanical joint of stacks to an adapter, so reducing axial displacements and simulating the effect of a threader head, Figure 2.

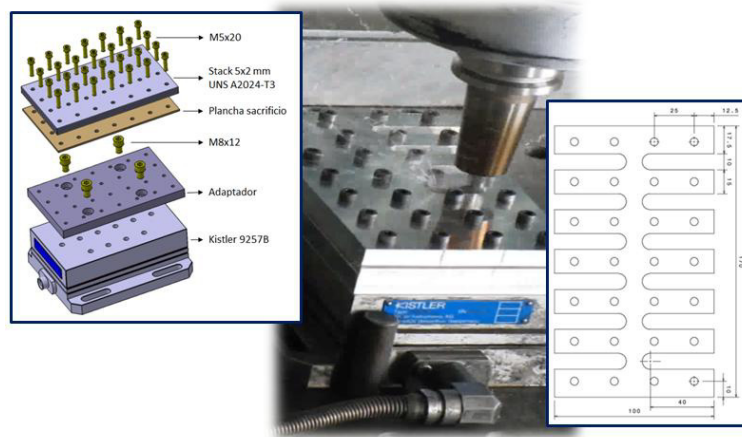


Fig. 2. Some details of the experimental configuration

Stacks were prepared for being coupled to a Kistler 9257B dynamometric table through the mechanical joint of stacks to an adapter, so reducing axial displacements and simulating the effect of a threader head, Figure 2.

A COINDU[®] (ref. D10.63) WC-10Co, K30, two teeth ($\gamma=17^\circ$, $\alpha=20^\circ$) mill was used in the milling tests. Mill diameter was 10 mm and the mill helix angle was 30° . Mill was coupled to a thermal contraction HSK 50 tool-holder. On the other hand, tests were realized in absence of cutting fluids, favoring so the increase of the environmental performance of the machining process. Cutting parameters applied have been included in Table 1.

Table 1. Machining parameters values applied to the FPAV process

V (m/min)	503	565	628	691	754	817
S (rev/min)	16000	18000	20000	22000	24000	26000
f_z (mm)	0,035	0,050	0,065	0,080		

Cutting forces have been acquired at an acquisition frequency of 20 kHz, using a National Instruments DAQCard-6062E[®] board and a BNC-2110 multiplexor. Acquisition and translation of the triaxial cutting force components (F_x , F_y , F_z) process was programmed using the software for development platform LabView[®].

3. Results and Discussions

Figure 3 plots typical cutting force orthogonal component records. Two zones can be distinguished in this figure. First of them corresponds to the initial input drilling process, conducted at a half of the programmed feed (notice that F_z has a similar behavior in the drilling process of each sheet of the stack). Second zone is the corresponding to the 40 mm grooving process and the tool way out. The analysis has been centered in this pseudo-stationary zone, where the average value of each component has been calculated, Figure 3.

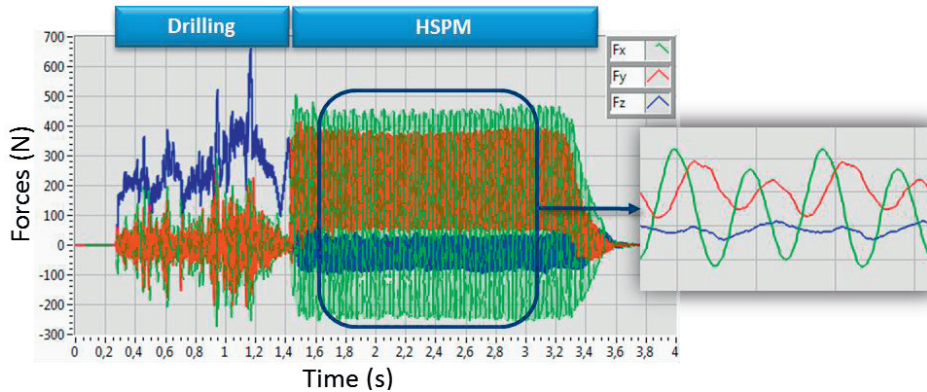


Fig. 3. Typical cutting force records ($f_z=0,035\text{mm}$, $V=503\text{ m/min}$). Evaluation and analysis zone has been framed

In the framed zone of the Figure 3, F_x shows a behavior near to sinusoidal, characteristic of the milling processes, with positive values when the tool spin-turn angle (φ) is between 0 and $\pi/2$ (milling in opposition), and negative values when φ is between $\pi/2$ and π (milling in concordance), Figure 4. F_y component has positive values due to the reference system that has been used, own of the dynamometer. On the other hand, F_z negative values indicate that the positive helix angle of the tool generates axial forces, which trends to get up the sheets and to provoke separations between the interfaces in a form approximately periodic during the process. It must be also noticed that, as it can be expected, F_z values are much lower than those corresponding to F_x and F_y . Additionally, it can be stated that the spring-back in the material compressive direction is the responsible of the gap between the maximum and minimum values of F_x and F_y components. In parallel, the gap in F_z can be associated to the vertical response of the sheets that configure the stack, and that do not respond to an average distribution as F_x and F_y .

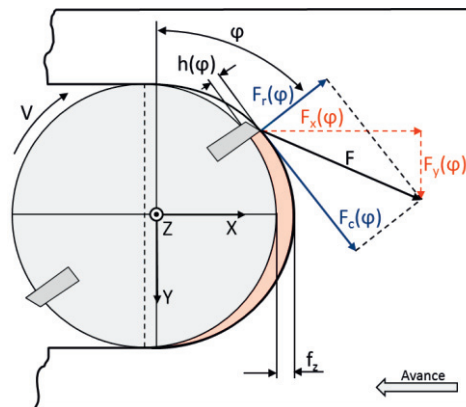


Fig. 4. Cutting force components in a HSCM process

Figure 5 plots the cutting force orthogonal components average values as a function of the cutting speeds for each feed of tooth applied.

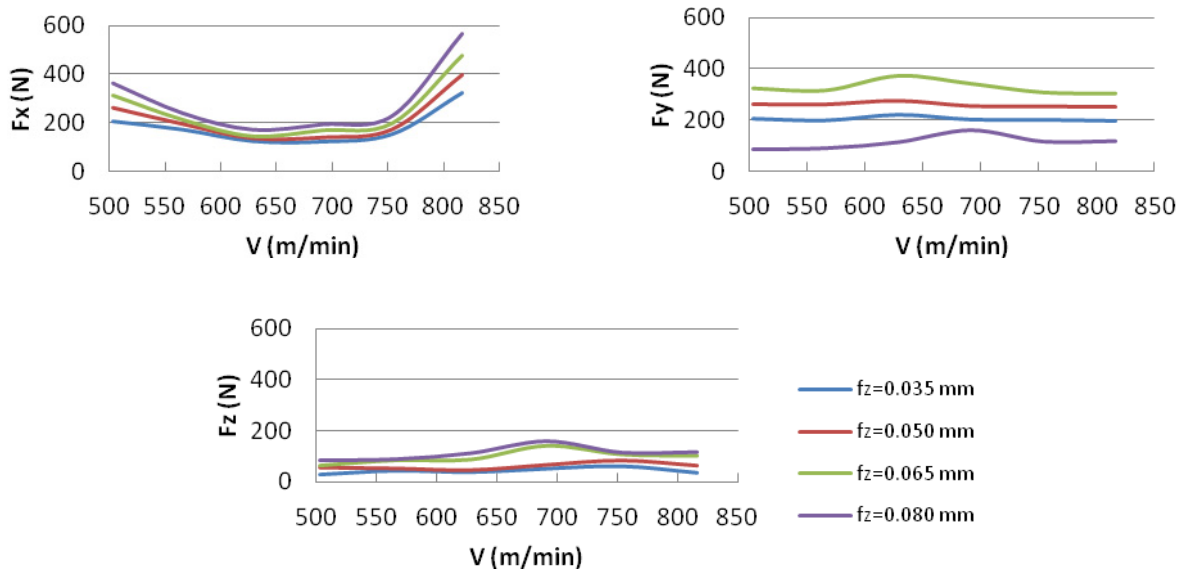


Fig. 5. Evolution of the components of the cutting force as a function of the cutting speed for different values of f_z

Looking at Figure 5, it can be noticed that $F_N(V)$ curves ($N=X,Y,Z$) show a light displacement with f_z . On the other hand, $F_N(f_z)$ curves show a tendency to increase for each cutting speed. According to Campatelli et al. (2012) and Carrilero et al. (1998), a potential model can be proposed for the marginal distributions of the cutting force components as functions of feed per tooth:

$$F_N = a f_z^b \tag{3}$$

However, $F_N(V)$ is different depending on the cutting force component. In effect, for F_Y and F_Z components, some stability can be appreciated with only a light increasing. According to Campatelli et al. (2012) and Carrilero et al. (1998), it allows proposing potentials models as the equation (3). Thus:

$$F_N = a V^b \tag{4}$$

In this way, F_Y and F_Z can be modeled as follows:

$$F_N = a V^b f_z^c \tag{5}$$

Coefficient and exponent values, a , b and c , can be calculated by linearizing Equation (5) by making a translation to logarithmic scale:

$$\log(F_N) = \log(a) + b \log(V) + c \log(f_z) \tag{6}$$

This equation corresponds to a plane in the log (FN) - log (fz) - log (V) space. A multilinear regression can be applied for determining the *a*, *b* and *c* values:

$$F_n' = a' + bX + cY \tag{7}$$

Table 2 includes the values of the independent terms of the parametric model.

Table 2. Coefficient and exponents of the potential model for *F_Y* and *F_Z*

	<i>a</i>	<i>b</i>	<i>c</i>	<i>R</i> ²
<i>F_Y</i> (N)	5751,64	-0,11	0,78	0,95
<i>F_Z</i> (N)	7,57	0,86	1,13	0,82

Notice the good adjustment and the good approximation of the model to the experimental data, Figure 6.

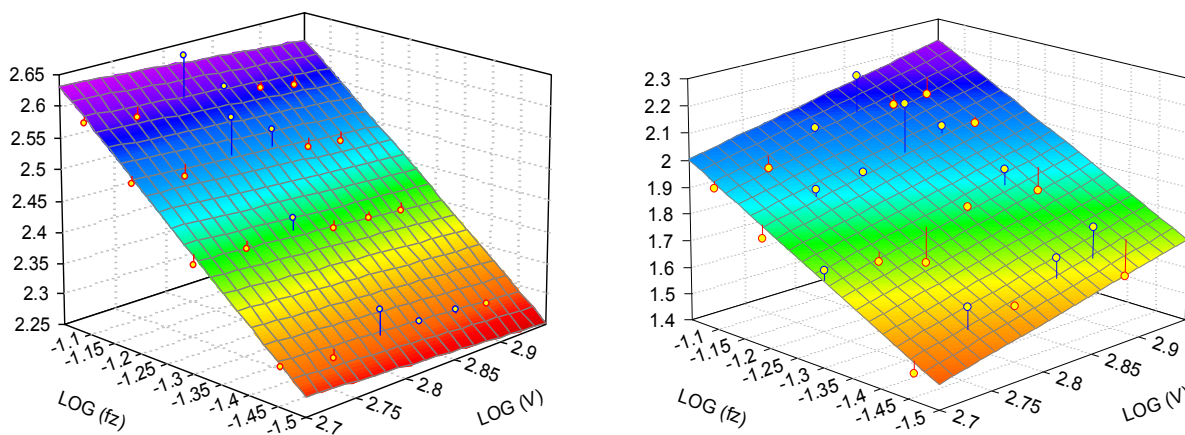


Fig. 6. Regression planes log(*F_N*) - log(*f_z*) - log(*V*) for *F_Y* and *F_Z*

On the other hand, the evolution of *F_X* as a function of *V* is noticeably different to those observed for *F_Y* and *F_Z*, Figure 5. It can be noticed that *F_X* has a minimum value extended in a range of values of *V*. This fact is characteristic of HSCM and it allows defining the cutting speed range where *F_X* is minimal for each feed per tooth value. Firstly, a bi-parabolic convolution model could be considered. In order to simplify this model for taking an unique theoretical minimum, a parabolic model can be proposed:

$$F_X = a + bV + cV^2 \tag{8}$$

Coefficients and exponents of the marginal models *F_X*(*f_z*), Eq. (4), and *F_X*(*V*), Eq. (8) are included in Tables 3 and 4, respectively.

Table 3. Adjustment values for marginal *F_X* = *a* *f_z*^b

	<i>V</i> (m/min)					
	503	565	628	691	754	817
<i>a</i>	2072,50	644,50	426,39	819,41	770,33	3067,43
<i>b</i>	1,45	2,49	2,54	1,71	2,02	1,47
<i>R</i> ²	0,99	0,99	0,95	0,98	0,99	0,99

Table 4. Adjustment values for marginal $F_x=a+bV+cV^2$

	f_z (mmn)			
	0,035	0,050	0,065	0,080
a	2591,4	3496,8	4362,5	5201,5
b	-7,75	-10,50	-13,17	-15,77
c	0,0061	0,0082	0,0103	0,0123
R²	0,8894	0,9112	0,9238	0,9208

The good adjustment of the values included in Tables 3 and 4 allows proposing a combined parabolic-potential model:

$$F_x = (a+bV+cV^2) f_z^d \tag{9}$$

Table 5 includes the values of the coefficients and exponent of the combined model of Equation (9). Notice the good adjustment of the model to the experimental data.

Table 5. Adjustment values for the combined model of the Equation (9).

	<i>a</i>	<i>b</i>	<i>c</i>	<i>d</i>	<i>R²</i>
F_x (N)	23671,46	-71,46	0,056	0,622	0,92

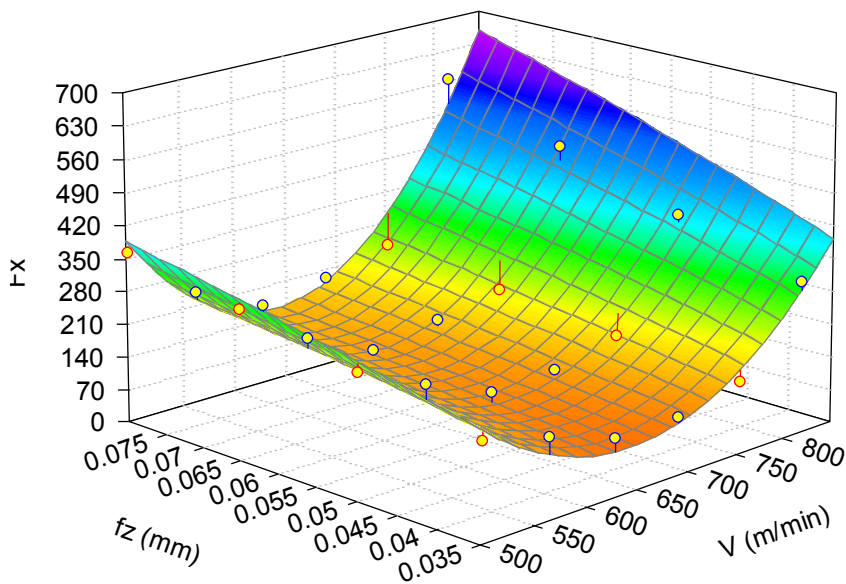


Fig. 7. Coons adjustment surface $F_x(f_z, V)$

4. Conclusions

This paper has reported on the results of a study of the influence of cutting speed and feed per tooth on the orthogonal components of cutting force acquired in the High Speed Contour Milling processes of Al-Cu sheets stacks

Z cutting force component, F_Z , has shown a value lower than the recorded for F_X and F_Y . This has been associated with the dependence on the stacked sheets separation. On the other hand, F_X and F_Y show a periodic behavior related to the milling process. However, the maximum and minimum values of both components show a gap associated to the reaction of the material to compression stress in Y.

Average values of the absolute records of the components have been used for studying the influence of the cutting parameters. Results obtained has allowed proposing marginal potential models $F_{X,Y,Z}(fz)$ and $F_{Y,Z}(V)$. So, $F_{Y,Z}(fz, V)$ responds to a combined potential model.

On the other hand, $F_X(V)$ is well adjusted to a parabolic model. Thus, a combined potential-parabolic model can be proposed for $F_X(fz, V)$.

All the models have preseted a good adjustment to the experimental data.

Acknowledgements

This work has received financial support by the Spanish Government (Project DPI2011-29019), from the European Union (FEDER/FSE) and from the Andalusian Government.

References

- Axinte, D. A., Belluco, W. De Chiffre, L., 2011. Evaluation of cutting force uncertainty components in turning. *International Journal of Machine Tool & Manufacture*, 41, pp. 719-730.
- Campatelli, G. Scippa. A., 2012, Prediction of milling cutting force coefficients for Aluminum 6082-T4. *Procedia CIRP*, 1, pp. 563 – 568.
- Carrilero, M.S., Marcos, M., Álvarez, M., Sánchez, V.M., 1998. Evaluación de la calidad superficial de piezas mecanizadas a partir del análisis de la fuerza de corte. *Revista de Metalurgia*, 34, pp. 27-31.
- Carrilero, M.S., Marcos, M., 1996. On the machinability of aluminium and aluminium alloys. *Journal of Mechanical Behaviour of Materials*, 7(3), pp. 179-193.
- Salguero J. et al., 2011, Roughness prediction models for tangential cutting forces in the dry turning of Al-Cu alloys. *Proc. of AMPT 2011: Int. Conf. on Advances in Materials and Processing Technologies*. Istanbul, Turkey.
- Sánchez, J.M., Marcos, M., Sebastián, M.A., Sánchez, M., González, J.M., 2003. Modelo paramétrico de la fuerza de corte para el torneado de la aleación AA2024. *Boletín de la Sociedad Española de Cerámica y Vidrio*, 43(2), pp. 179-181.
- Sánchez-Sola, J.M., et al., 2012. Cutting speed-feed based parametric model for macro-geometrical deviations in the dry turning of UNS A92024 Al-Cu alloys. *Key Engineering Materials*, 504-506, pp. 1311-1316.