



### **Science Arts & Métiers (SAM)**

is an open access repository that collects the work of Arts et Métiers Institute of Technology researchers and makes it freely available over the web where possible.

This is an author-deposited version published in: <https://sam.ensam.eu>  
Handle ID: <http://hdl.handle.net/10985/8655>

#### **To cite this version :**

Jean-François DUGUEY, Eric SEMAIL, Najib ROUHANA - DISPOSITIF DE COMMANDE D'ONDULÉURS ET PROCÉDÉ ASSOCIÉ. 2014-09-01. Brevet n° 1458162

Any correspondence concerning this service should be sent to the repository

Administrator : [scienceouverte@ensam.eu](mailto:scienceouverte@ensam.eu)



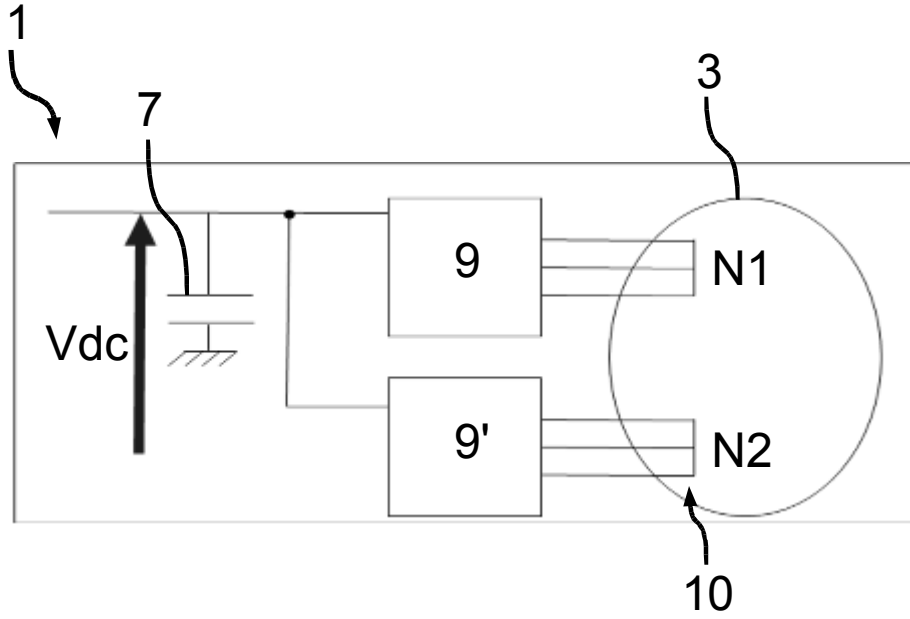


Fig.1

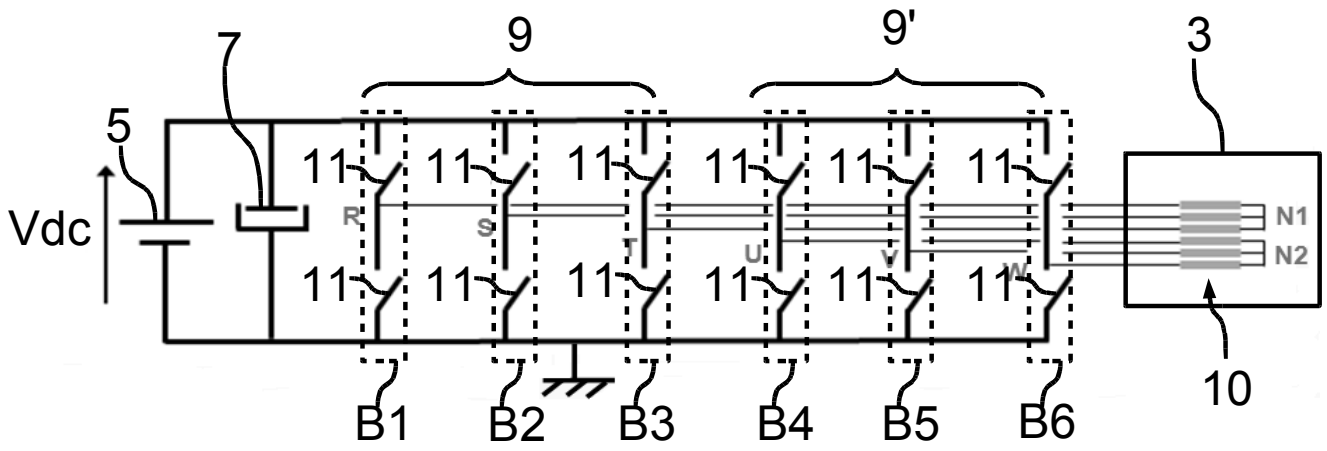


Fig.2

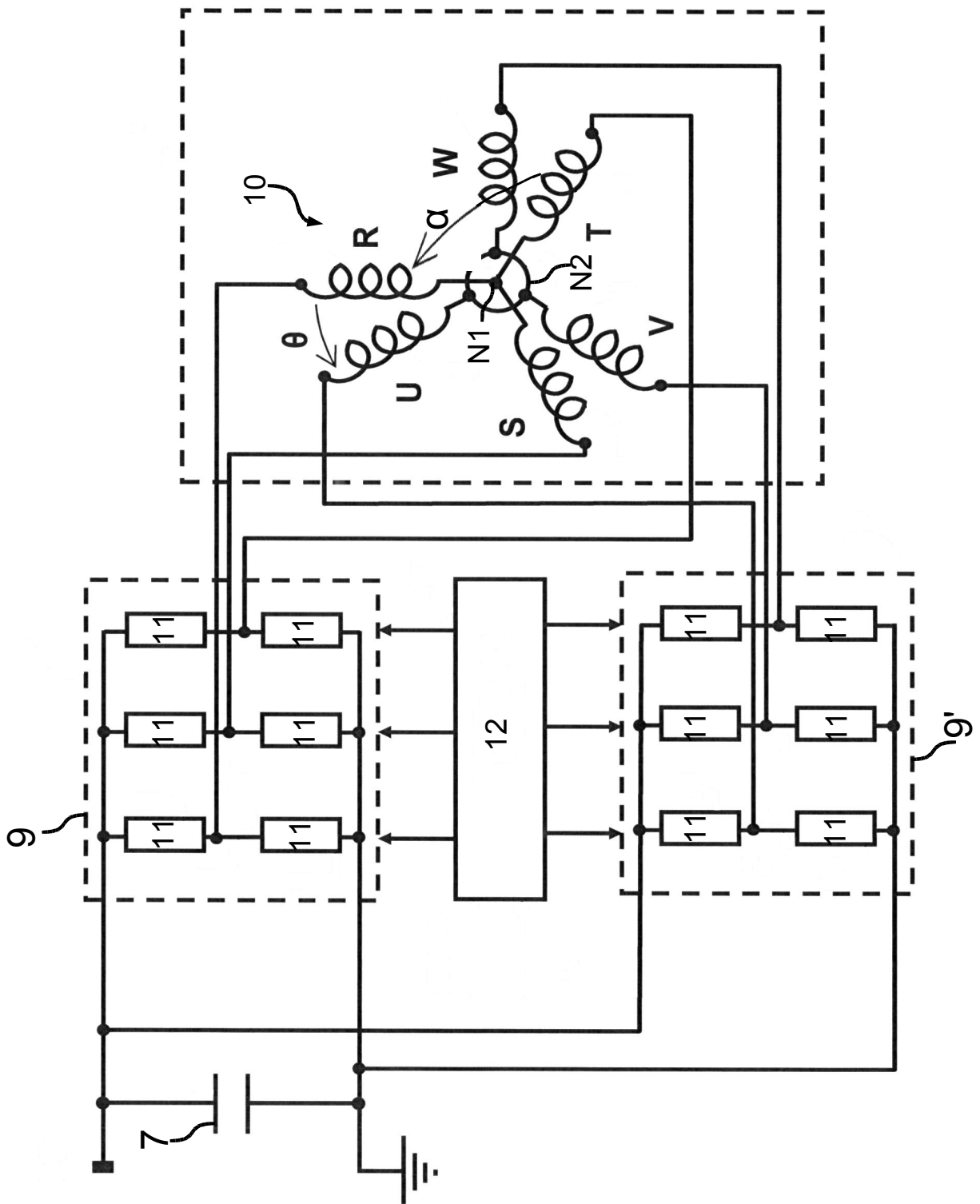


Fig.3

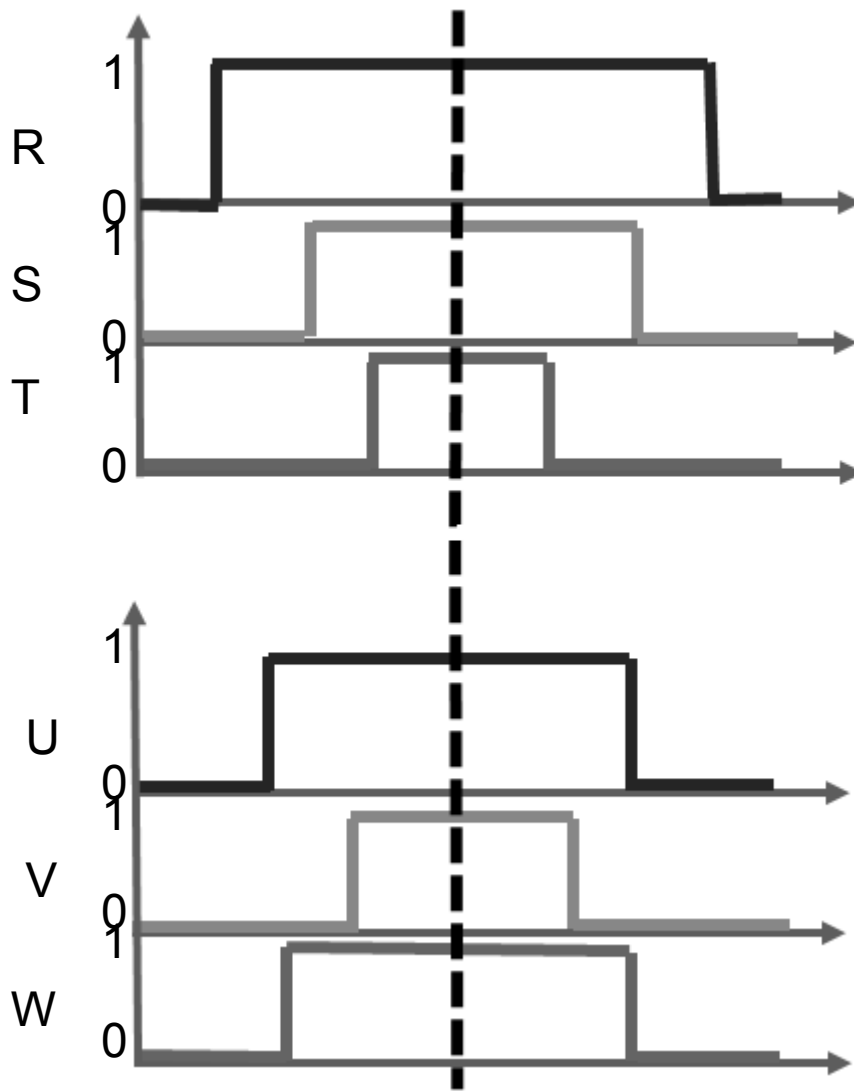


Fig.4

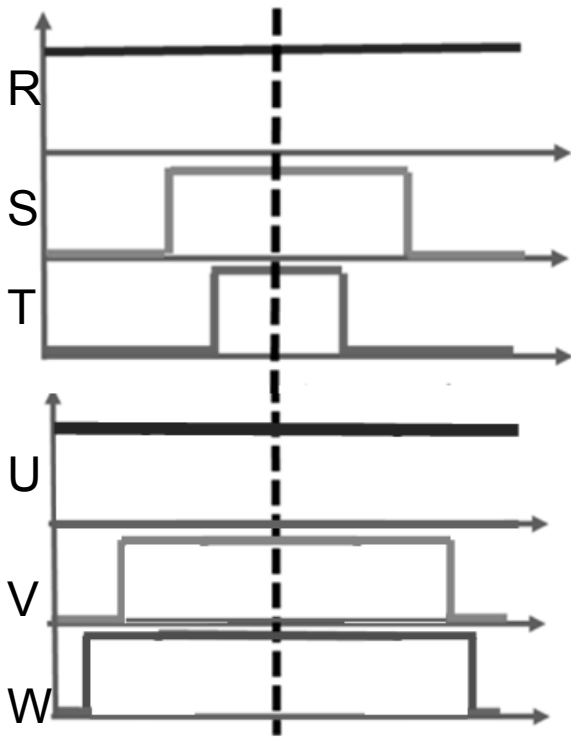


Fig.5a

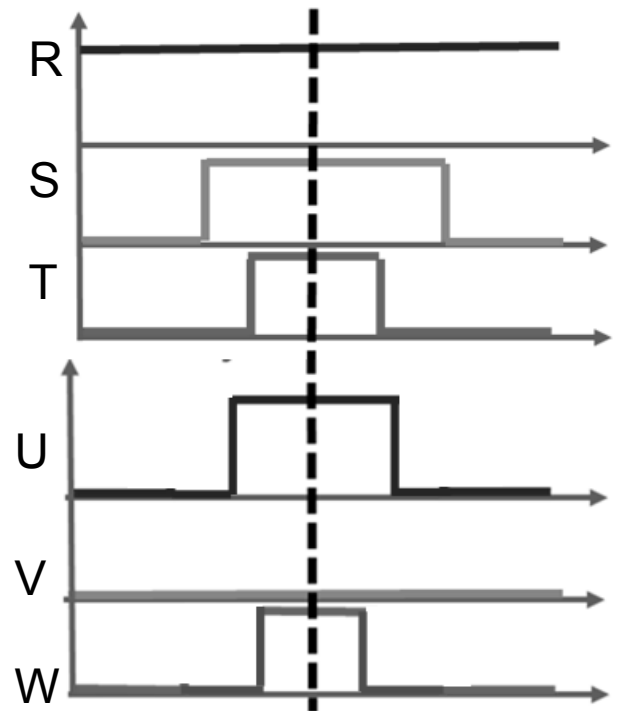


Fig.5b

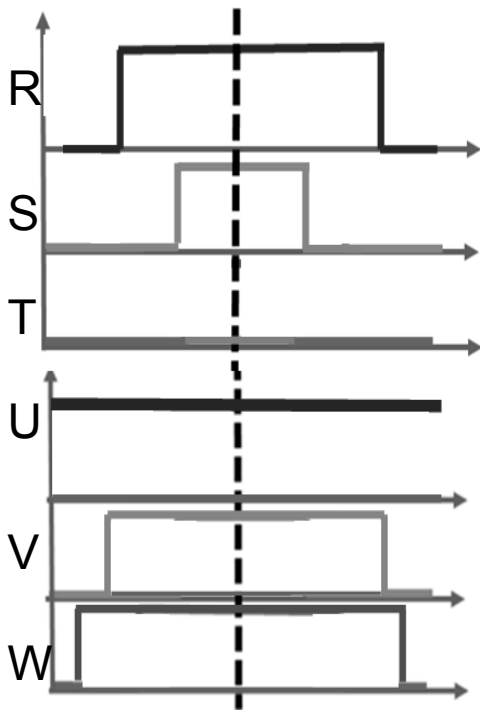


Fig.5c

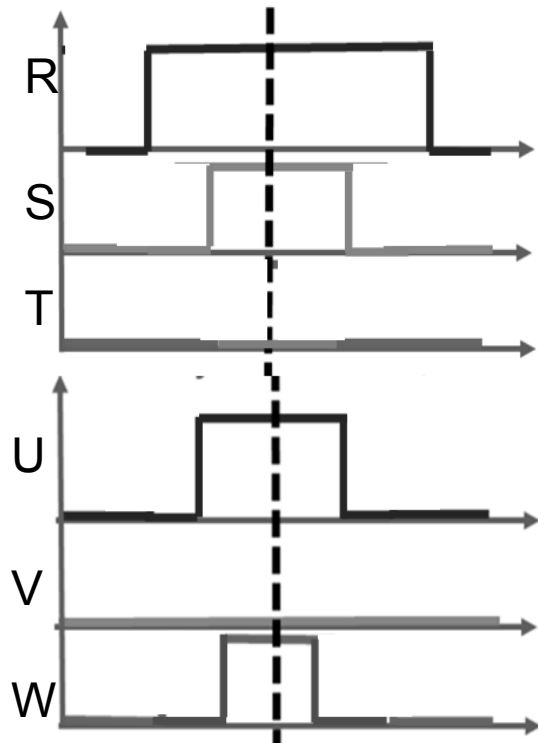
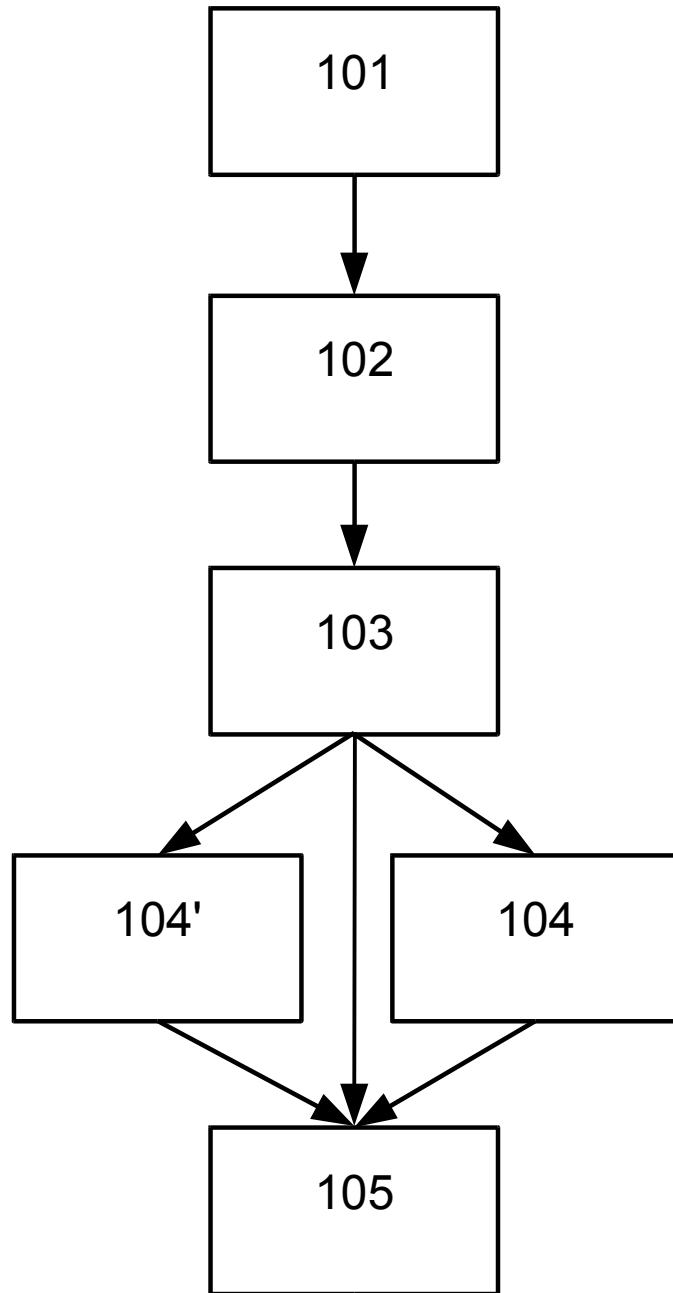


Fig.5d

**5/6**



**Fig.6**

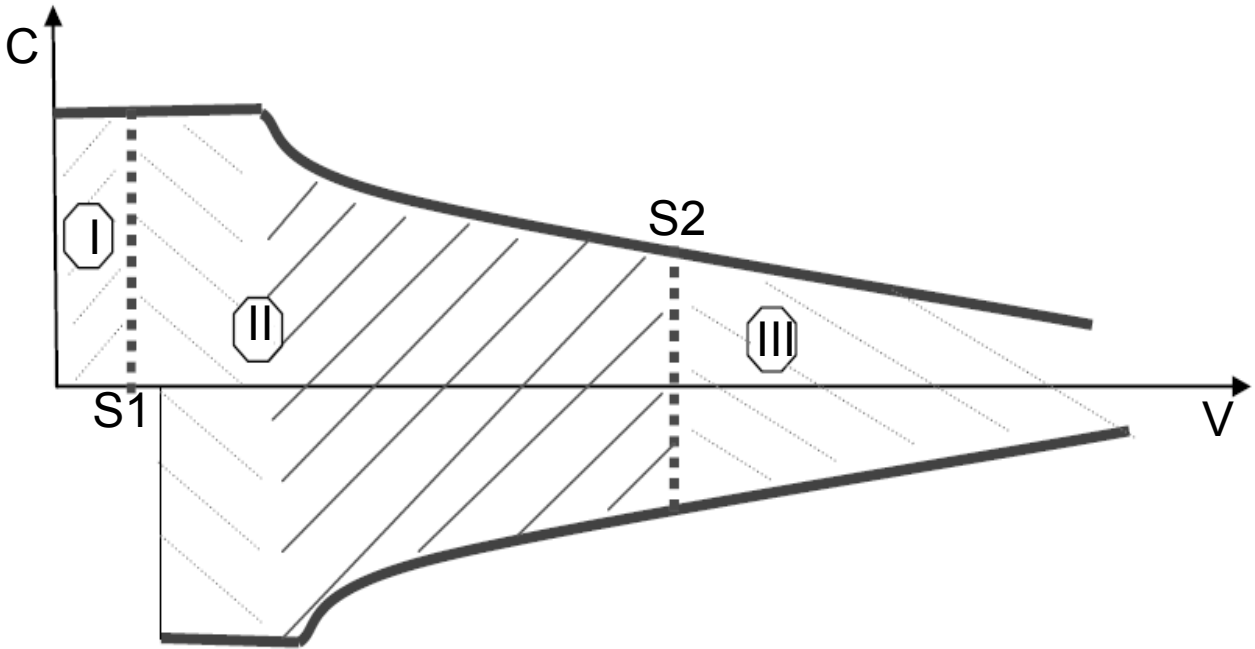


Fig.7